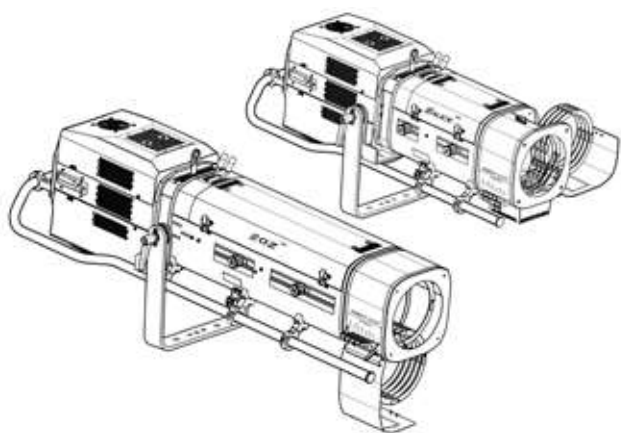


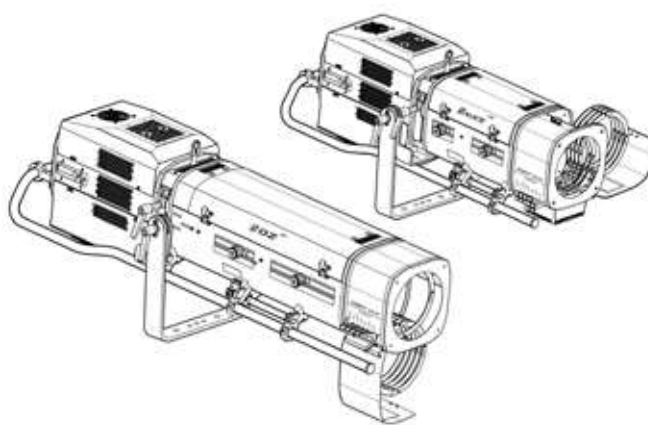
ALICE & OZ

Manual

LED FOLLOWSPOTS



OZ 1169TC / ALICE 1469TC (TOP CONTROL)



OZ 1169 / ALICE 1469

600 W FOLLOWSPOTS

Model	Standard	North American
7 – 14,5°	OZ 1169TC	OZ 1169CTC
13 – 24°	ALICE 1469TC	ALICE 1469 CTC

Model	Standard	North American
7 – 14,5°	OZ 1169	OZ 1169C
13 – 24°	ALICE 1469	ALICE 1469 C

V2

FIRMWARE: V2.09

Date: 27/06/22

DN41135200-C



ROBERT JULIAT

Table of Contents

1	User's instructions	1
2	Presentation	2
2.1	Functions	2
2.2	Identification label	3
2.3	Accessories included	3
2.4	Optional accessories	4
3	Set-up	5
3.1	Mechanics	5
3.1.1	Operating positions	5
3.1.2	Minimum distance between a flammable material and the lighting unit	5
3.1.3	Instructions for use	5
3.1.4	Lifting	5
3.1.5	Stand set-up	6
3.2	Electrical information	7
3.2.1	LED source	7
3.2.2	Power supply	7
3.3	DATA	8
3.3.1	Data 512-A / RDM	8
3.3.2	Art-Net / sACN	8
3.3.3	Ethernet / DMX mode	9
3.4	Accessories	10
3.4.1	Full closing iris cassette	10
3.4.2	Colour changer unit - boomerang (only available for OZ)	10
3.4.3	Colour changer unit - push-pull (ALICE)	11
3.4.4	Gobo holder	11
3.4.5	Double slot front cassette	12
3.4.6	Frosted / CTO glass	12
3.4.7	Internal glass holder	13
3.4.8	Horizontal chopper	13
3.4.9	Stands	14
3.4.10	Heavy duty adjustable yoke	14
3.4.11	Telrad followspot sight	14
3.4.12	Flight-case	15
4	Operations	16
4.1	Light intensity	16
4.1.1	Range	16
4.1.2	Control	16
4.1.3	Parameters	16
4.1.3.1	Dimming resolution	16
4.1.3.2	Dimming curve	16
4.1.3.3	Master control	17
4.1.3.4	Set maximum position	17
4.1.3.5	Sensitivity	17
4.2	Strobe	18
4.2.1	Range	18
4.2.2	Control	18
4.3	Response time	18
4.3.1	Range	18
4.3.2	Control	18
4.4	Beam size adjustment	19
4.4.1	Range	19
4.4.2	Control	19
4.5	Pan / Tilt	20
4.5.1	Range	20
4.5.2	Control	20
4.6	Iris	21
4.6.1	Range	21
4.6.2	Control	21
4.7	Gobo	21
4.7.1	Range	21
4.7.2	Control	21
4.8	Colour	22
4.8.1	Range	22
4.8.2	Control	22
4.9	Frost and correction filters	23
4.9.1	Range	23
4.9.2	Control	23
4.10	Horizontal chopper	24
4.10.1	Range	24
4.10.2	Control	24
5	Controls and parameters	25
5.1	Local display and controls	25
5.1.1	Display	25
5.1.2	Menu	26
5.1.3	Parameters	27
5.2	DMX512 - A remote control	28
5.2.1	Protocol	28
5.2.2	Configuration	28
5.2.3	Parameters	28
5.2.3.1	DMX Hold	28
5.2.4	DMX chart	29
5.2.5	DMX ranges	29
5.2.5.1	Strobe duration	29
5.2.5.2	Strobe speed	29
5.2.5.3	Response time	29
5.2.5.4	Control mode	29
5.3	RMD remote control	30
5.3.1	Protocol	30
5.3.2	Functions	30
5.3.3	Parameters ON/OFF	30
5.4	Art-Net remote control	31
5.4.1	Protocol	31
5.4.2	Configuration	31
5.5	sACN remote control	32
5.5.1	Protocol	32
5.5.2	Configuration	32
5.6	Fan cooling modes	33
5.6.1	Range	33
5.6.2	Control	33
5.7	Gel fan modes	33
6	Service	33
6.1	Preventive maintenance	33
6.1.1	Frequency	33
6.1.2	General cleaning	33
6.1.3	General visual check	33
6.1.4	LED source	33
6.1.5	Optics	34
6.1.6	Inner fans & LED glass protection cleaning	34
6.2	Analysis	34
6.3	Local potentiometer	35
6.4	Electronic thermal management system	36
6.5	Firmware update	36

1 User's instructions

GENERAL INSTRUCTIONS

1. Not for residential use.
2. These fixtures must only be serviced by a qualified technician.
3. In addition to the instructions indicated on this page, relevant health and safety requirements of the appropriate EU Directives must be adhered to at all times.
4. This fixture is in compliance with section 17 - Lighting appliance for theatre stages, television, cinema and photograph studios. Standards NF EN 60598-1, NF EN 60598-2-17, Low Voltage Directive 2014/35/UE & EMC Directive 2014/30/UE.
5. This fixture is rated as IP20, and is for indoor use only.

FIXTURE

6. Ensure fixture is correctly mounted on an appropriate support.
7. Protection screens and lenses must be replaced in the event of any damage, such as cracks or deep scratches, since these might reduce performance.
8. When hung or flown the fixture must be secured by an additional hanging accessory (such as a safety cable or bond) of suitable length.
9. Safety bonds or cables must be securely attached to the back of the fixture and be as short as possible, or rolled up as necessary, to minimise travel distance should the fixture be dislodged.
10. Movable accessories (scroller, etc.) must also be secured with a suitable safety cable or bond at the front of the fixture.
11. The combined weight of both the fixture and the accessories must be considered when choosing the load-bearing capability of safety cable or bond.
12. Do not open lighting fixture when the source is on.
13. **WARNING:** LED source become hot during use. Allow fixture to cool before servicing.
14. Do not tamper with design of fixture nor any of its safety features.
15. Tighten electrical mains cable connections regularly and replace with one of identical specification if damaged.
16. Use only with correct power supply.

VENTILATION

17. Keep well away from flammable material.
18. Not for outdoor use. Do not cover. Do not permit fixture to get wet.
19. To avoid overheating, do not obstruct air vents.
20. Ensure any cooling fans are in correct working order. If fans are not working, turn fixture off immediately and service as necessary.

CLEANING

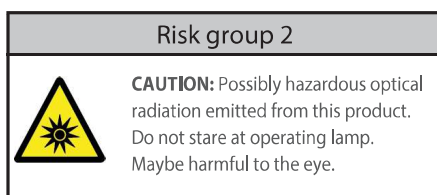
21. Do not touch the LED source with your fingers.
22. To clean the optical parts, use a soft cloth in combination with distilled water or isopropyl alcohol recommended for coated optics. Do not use any cleaning product that contains solvents or abrasives, as these can cause surface damage. Dry with a soft lint-free cloth.
23. Regularly remove dust with a soft lint-free cloth.
24. If the fixture has filters, they must be cleaned frequently.

POWER SUPPLY

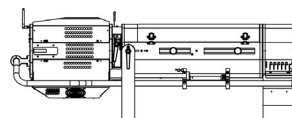
25. Disconnect from the mains before servicing.
26. Mains connection only. Do not connect to "electronic output" such as dimmer.
27. Ensure power supply circuit breakers, always remain accessible.

PLEASE NOTE

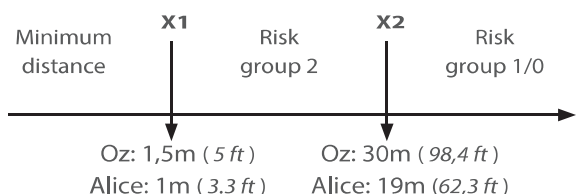
This product has been built to conform to European standards relating to professional lighting equipment. Any modification made to our products will void the manufacturers' warranty.



Group risk 2. Luminaires should be positioned so that prolonged staring into luminaire at a distance closer than 30m (Oz) & 19m (Alice) is not expected.

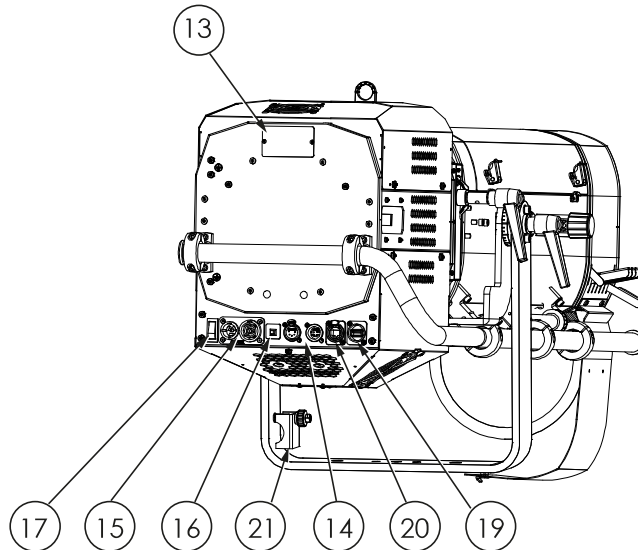
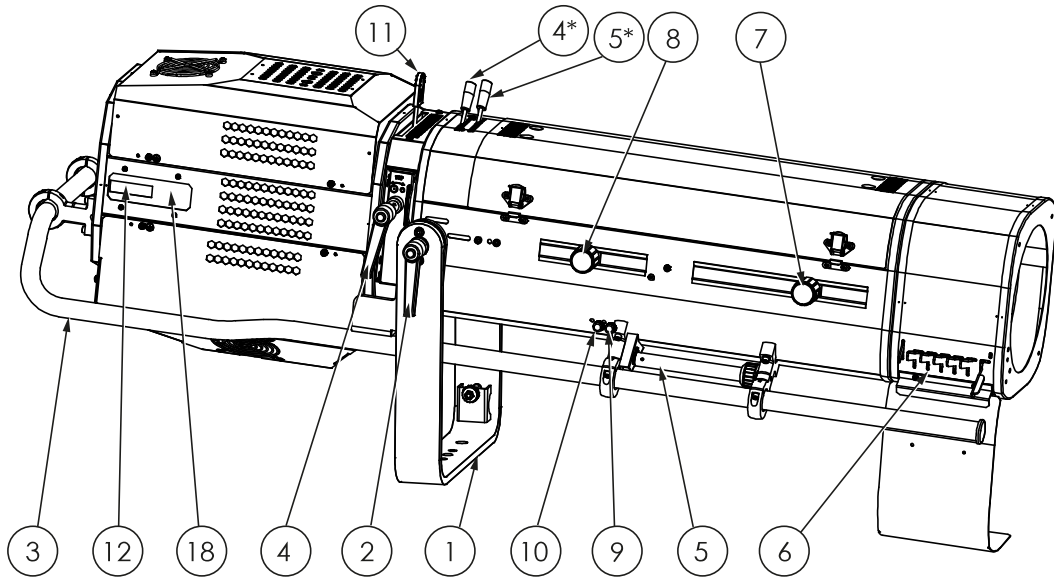


Photobiological safety according to EN62471



2 Presentation

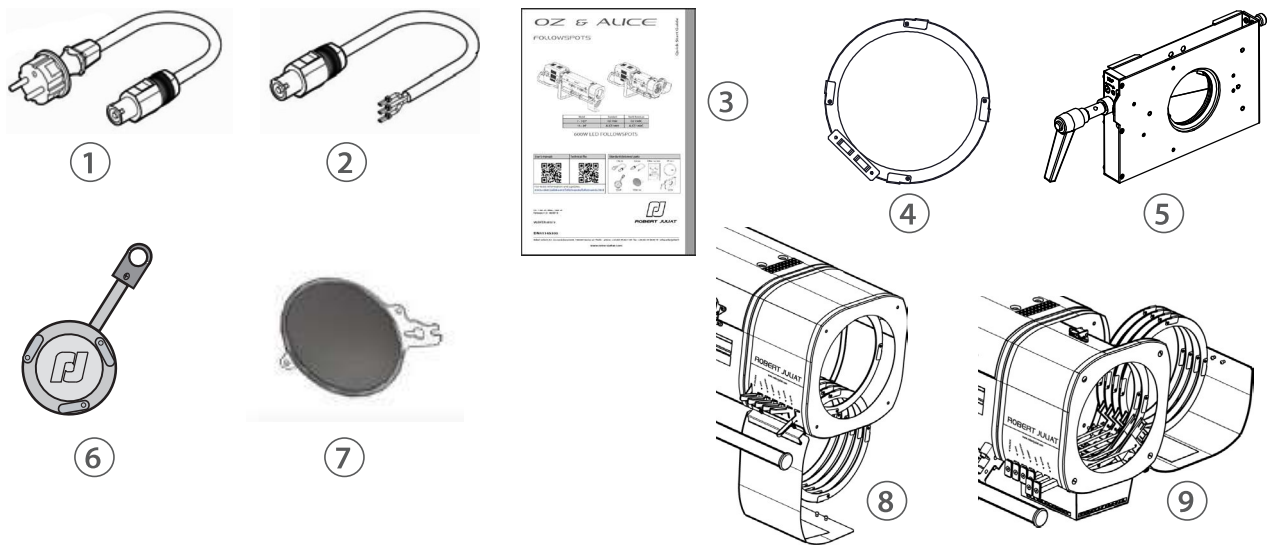
2.1 Functions



Functions	
1. Yoke	10. Spare filter
2. Yoke locking	11. Gobo holder
3. Side operating	12. Local display
4. Iris control (1169/1469 only)	13. Identification plate
4*. Iris control (1169TC/1469TC only)	14. Data connectors (OUT and IN)
5. Dimming control (1169/1469 only)	15. Power connectors (IN and OUT)
5*. Dimming control (1169TC/1469TC only)	16. Thermal breaker
6. Colour changer	17. Power switch
7. Zoom adjustment	18. Control board
8. Focus adjustment	19. USB connector
9. Frost glass	20. RJ45 connector
	21. Cable lock

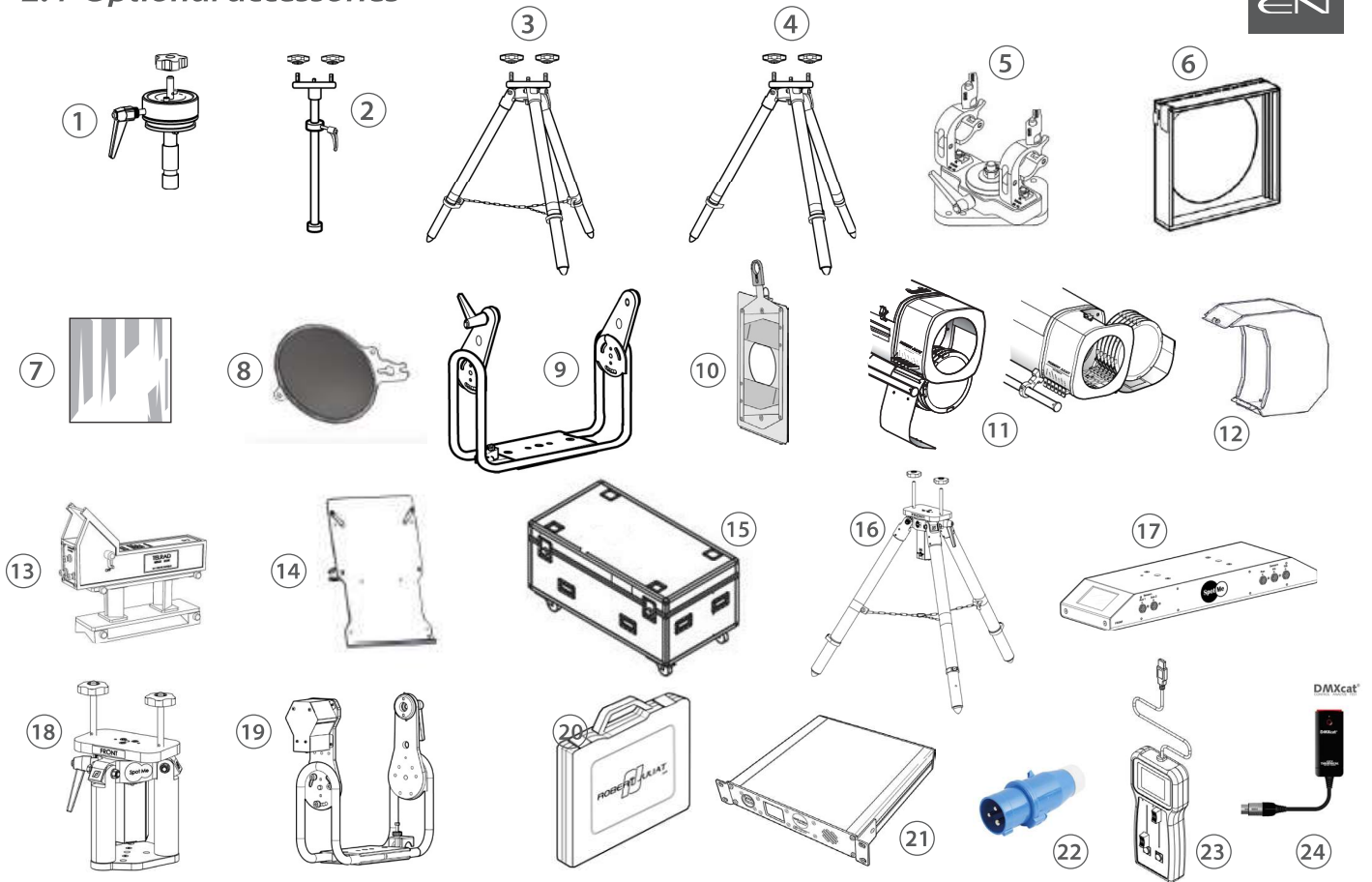
Description	
	<ol style="list-style-type: none"> 1. MOD. : Model 2. VERS. : Version 3. U : Nominal voltage input (V) 4. I : Nominal intensity (A) 5. P : Maximum power input (W) 6. IP : International Protection Rating 7. t°a : Maximum ambient temperature (°C) 8. t°c : Maximum external temperature of the unit (°C) 9. Net weight (kg) 10. Minimum distance between a flammable material and the lighting unit (m) 11. Colour temperature version 12. Serial number 13. Replace broken glass 14. Class 1 product label 15. Read manual first label 16. European conformity label 17. WEEE directive label 18. CEI-TR-62778 - Do not stare at light source 19. EN62471 - Risk group 20. UKCA (UK Conformity Assessed) label
<p>Units :</p> <ul style="list-style-type: none"> - Weight = kilogram (kg). - Intensity = Ampere (A). - Voltage = Volt (V). - Frequency = Hertz (Hz). - Temperature = degree Celsius (°C). 	

2.3 Accessories included



Reference	Description
1 CAL03	3 meter power cable (3G1,5 HO7RNF) with Neutrik PowerCon© True1 and CEE 7/7 (2P+T NF/SCHUKO) connectors (standard version)
2 CAL04	1,50m power cable UL/CSA with Neutrik® powerCON TRUE1 connector (North American version)
3 DN41145300	Quick Start manual
4 PF1011	Ø210 mm metal filter holder (x6)
5 CCU1	Full closing iris cassette - Ø72mm
6 SGUP2	Universal "A" size gobo-holder (metal, glass, frosted glass)
7 VDM100	Ø97mm frosted glass with holder
8 M210B	6-way "boomerang" colour changer (included only for Oz)
9 M210T	6-way "Push/Pull" colour changer (included only for Alice - optional for Oz)

2.4 Optional accessories

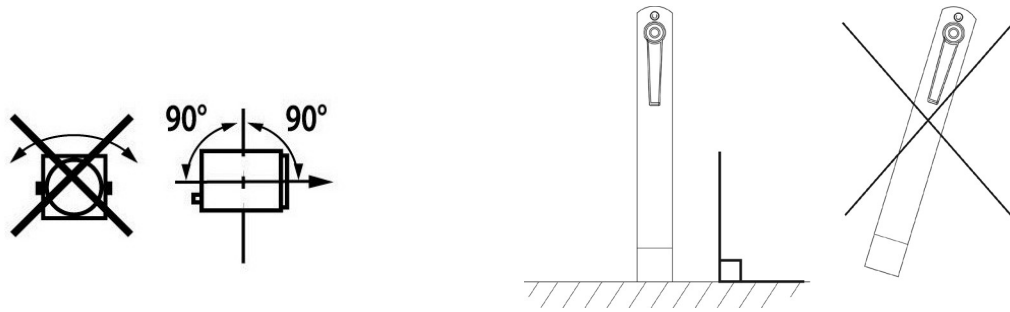


	Reference	Description
1	T1000	TV spigot with followspots swivel head
2	JPP	Monopod stand for overhead followspot
3	GT4000	Tripod stand with safety chain - SWL: 130 Kg - max. height: 1030 mm
4	GT4000S	Tripod stand without safety chain - SWL: 130 Kg - max. height: 1030 mm
5	T4000	Followspot mount for Ø50mm pipe (suspension or overhead) - SWL= 100 Kg
6	CAV700A	Double slot front cassette for 215x215mm accessories
7	VD120	120x120mm frosted glass
8	FCM100R	Ø97mm 1/2 CTO correction filter with holder
9	FR0/1017PD	Heavy duty adjustable yoke
10	Kit G80	Ø80mm chopper kit (G80+ GR120+ adaptation kit)
11	M210B	6-way "boomerang" colour changer (only available for OZ)
	M210TM	6-way "push-pull" colour changer (option available for OZ)
	M210TVCL	Light shield for M210T push/pull colour changer
13	Kit TELRAD	Telrad followspot sight with raiser and universal mounting kit
14	SDUP	Followspot cue sheet holder with universal mounting kit
15	FC1169/S	Flight-case for Compact range (LED version) / GT stand / P.S.U. / accessories
16	GT4000RSM	Tripod stand with safety chain - SWL: 130 Kg - max. height: 1030 mm (equipped with PAN sensor)
17	SMS	SpotMe server + 2 sensor cables + flight case
18	T4000RSM	Followspot mount with ball head rotation ans SpotMe PAN sensor SWL = 100 Kg - Weight: 8,83 Kg.
19	FR0/SMEPV	Heavy duty adjustable yoke equipped with TILT SpotMe sensor (E type)
20	TCSM	SpotMe calibration tool kit
21	Maestro	Maestro server for SpotMe - rackable unit: 1U - half 19"
22	PCP1716A	16A blue 2P+E 6h IEC60309 power connector
23	P2FU	Dual-function programmable remote controller - USB connector
24	DMXcat	Bluetooth DMX/RDM Multifunction test tool - City Theatrical DMXcat®

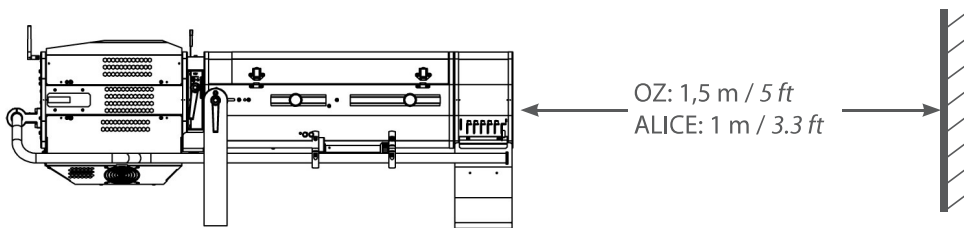
3 Set-up

3.1 Mechanics

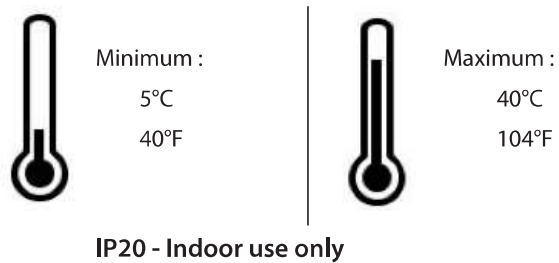
3.1.1 Operating positions for OZ & ALICE



3.1.2 Minimum distance between a flammable material and the lighting unit

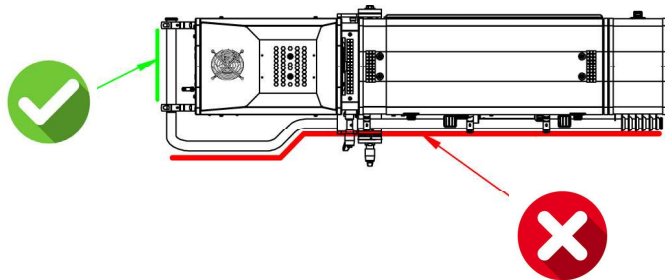


3.1.3 Instructions for use



3.1.4 Lifting

- Net weight for
OZ : 41 Kg (90.2 lbs)
ALICE 40 Kg (88 lbs)

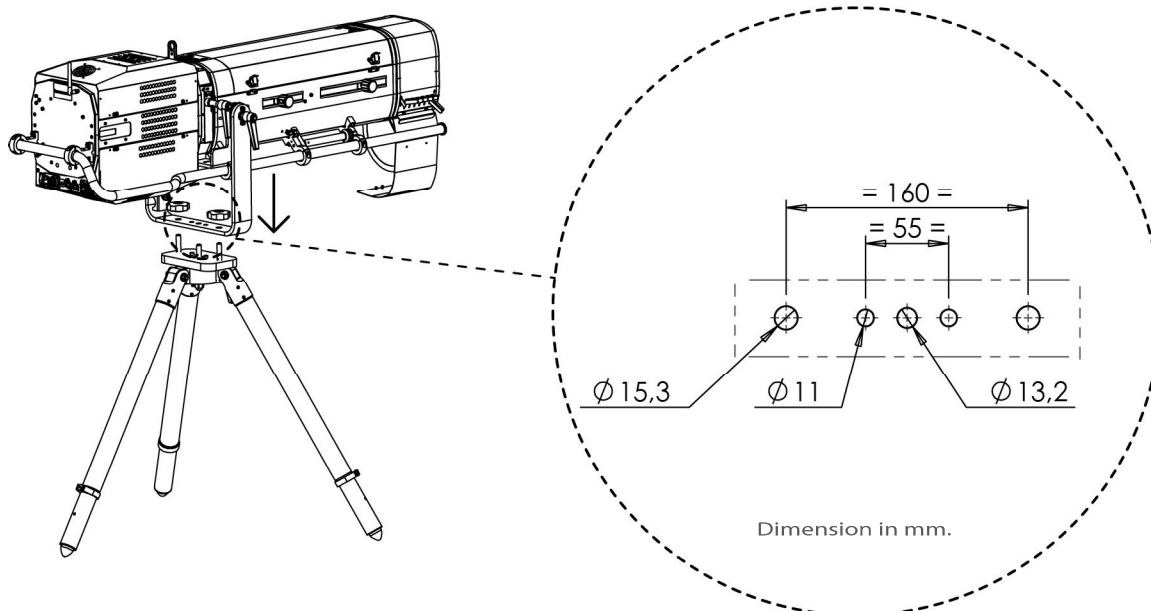


3.1.5 Stand set-up

The unit must be installed only on a Robert Juliat compatible stand / head :	
T1000	TV spigot with followspots swivel head
JPP	Monopod stand for overhead followspot
GT4000	Tripod stand with safety chain - SWL: 130 Kg - max. height: 1030 mm
GT4000S	Tripod stand without safety chain - SWL: 130 Kg - max. height: 1030 mm
T4000	Followspot mount for Ø50mm pipe (suspension or overhead) - SWL= 100 Kg

- GT4000 & GT4000S

Please refer to the relevant stand technical files for further details.


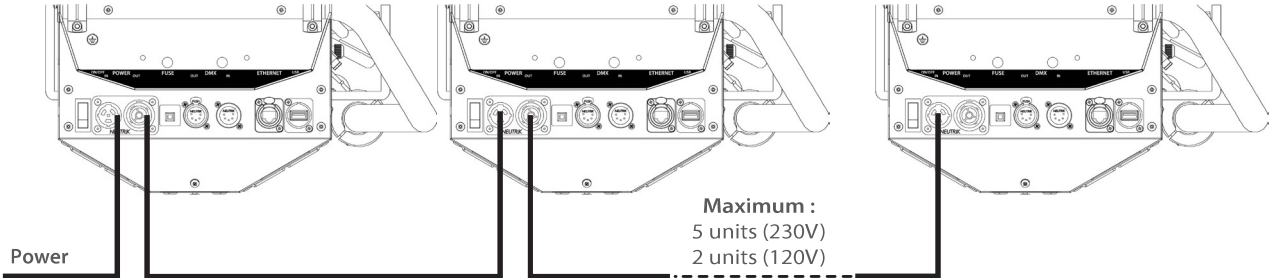


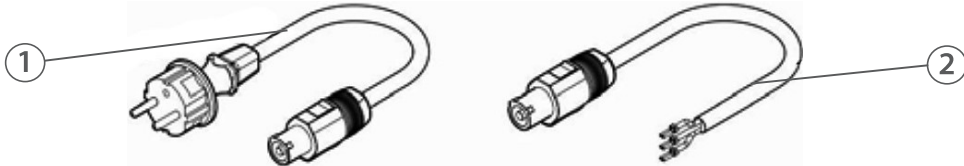

3.2.1 LED source



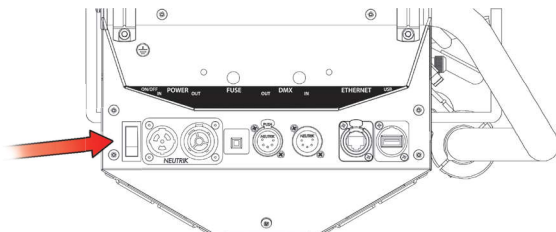
Never touch or scratch the LED surface.
Cf. 6.1.4 LED cleaning procedure if cleaning is necessary.

3.2.2 Power supply

Power supply			
Voltage	Frequency	Input power	Connectors
100 → 240 V	50-60 Hz	2.8 A / 640 W @ 230V 5.5 A / 649 W @ 120V 6.7 A / 655 W @ 100V	Neutrik powerCON TRUE1 TOP Input : ref. NAC3PX-TOP
 <ul style="list-style-type: none"> • Class 1 product. This luminaire must be earthed. • Must be connected directly to AC power. Do not connect to dimmer power. • Automatic mains voltage detection. • Maximum power available on output: 700 W 			
<p>Daisy chain (with delivered power cable):</p>  <p>Maximum : 5 units (230V) 2 units (120V)</p>			

Power cable						
Power cable	Connector	Mains plug	Cable type	Cable length	Wiring	
1	Standard version	CEE7/7	3G1.5 H07RNF	3 m 9.8 ft	Live: Brown Neutral: Blue Ground: Yellow/Green	
2	North American version		-	14AWG SJ TYPE (UL/CSA)	1.5 m 4.9 ft	Live: Black Neutral: White Ground: Green
						
						

Power ON



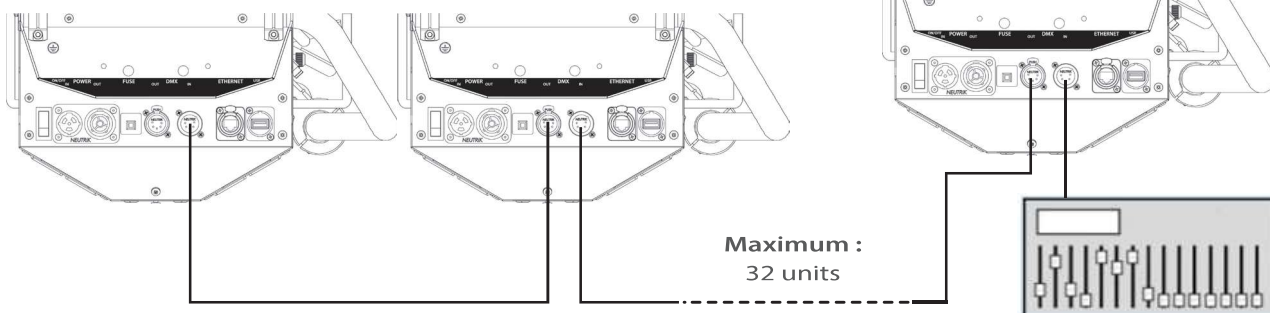
3.3 DATA

3.3.1 DMX 512-A / RDM

Protocol	Input connector	Output connector
USITT DMX 512-A RDM	XLR 5-pin	XLR 5-pin

DATA connectors			
PIN #	DMX	Description	
1	Shielding	Foil & Braided Shield	<p>DMX OUT DMX IN</p>
2	DMX (-)	1 st conductor of 1 st twisted pair	
3	DMX (+)	2 nd conductor of 1 st twisted pair	
4	Not used	1 st conductor of 2 nd twisted pair	
5	Not used	2 nd conductor of 2 nd twisted pair	

Daisy chain:



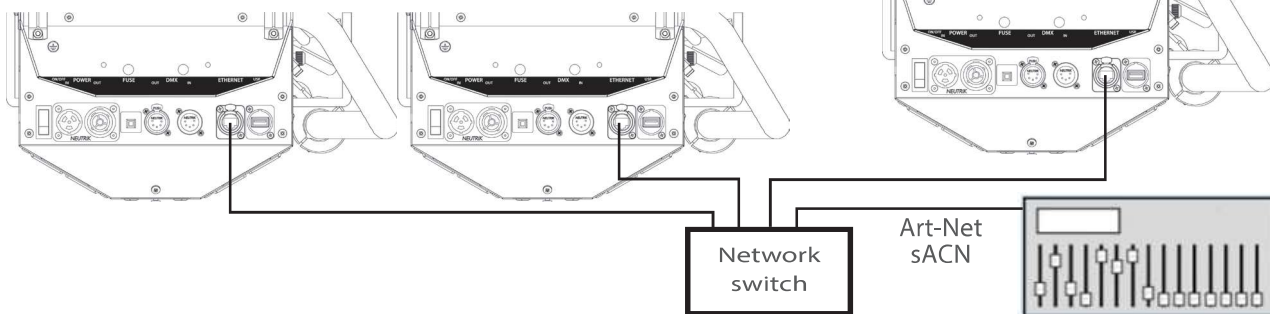
Integrated terminal plug:

If no XLR connector is detected on DMX OUT connector, a 120 Ω terminal plug is automatically activated. Additional terminal plug on the last unit is not necessary.

3.3.2 Art-Net / sACN

Protocol	Input connector	Output connector
Art-Net sACN	RJ45	-

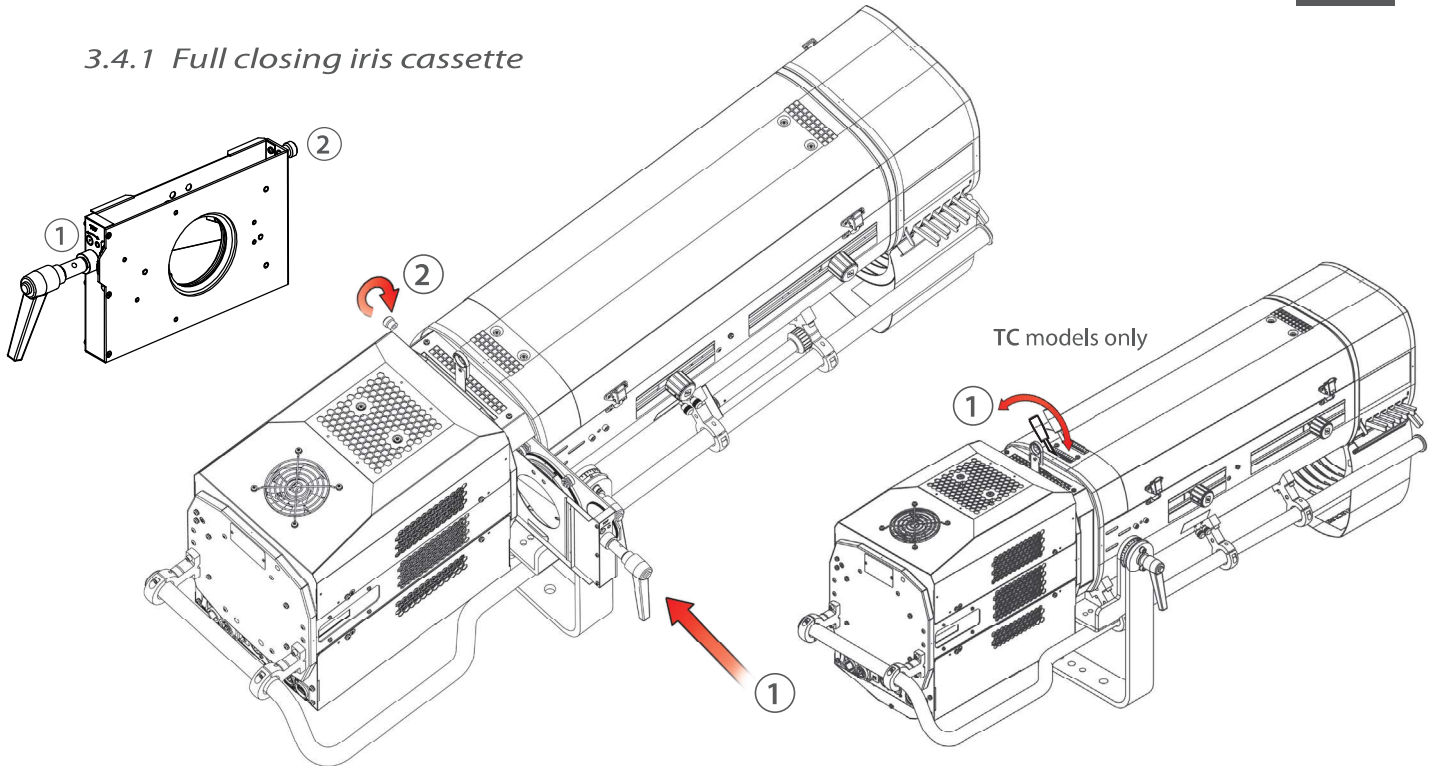
Daisy chain:



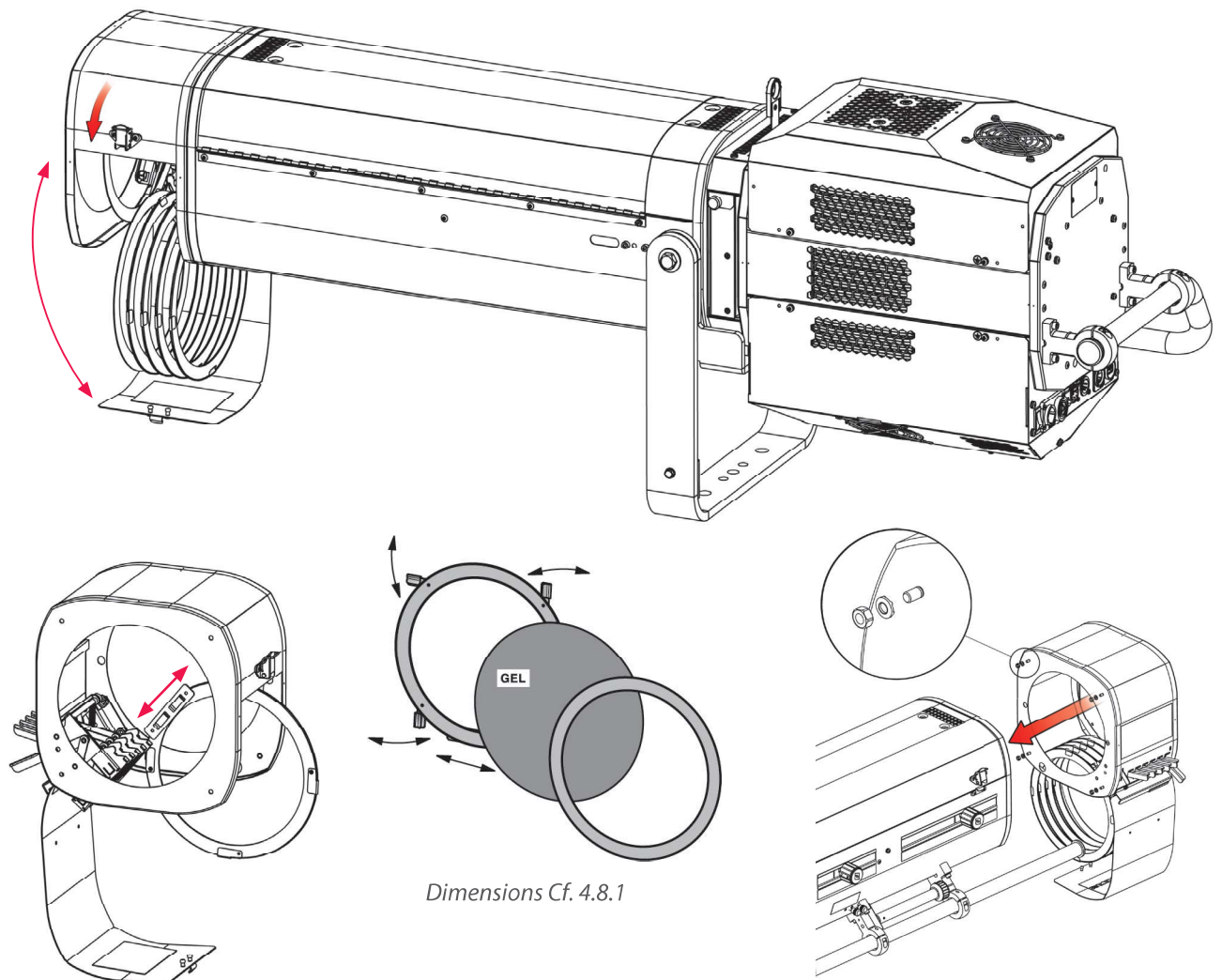
3.3.3 Ethernet / DMX node

Protocol	Input connector	Output connector
Art-Net sACN	RJ45	DMX
<p>Daisy chain:</p> <p>DMX</p> <p>Maximum : 32 units</p>		

3.4.1 Full closing iris cassette

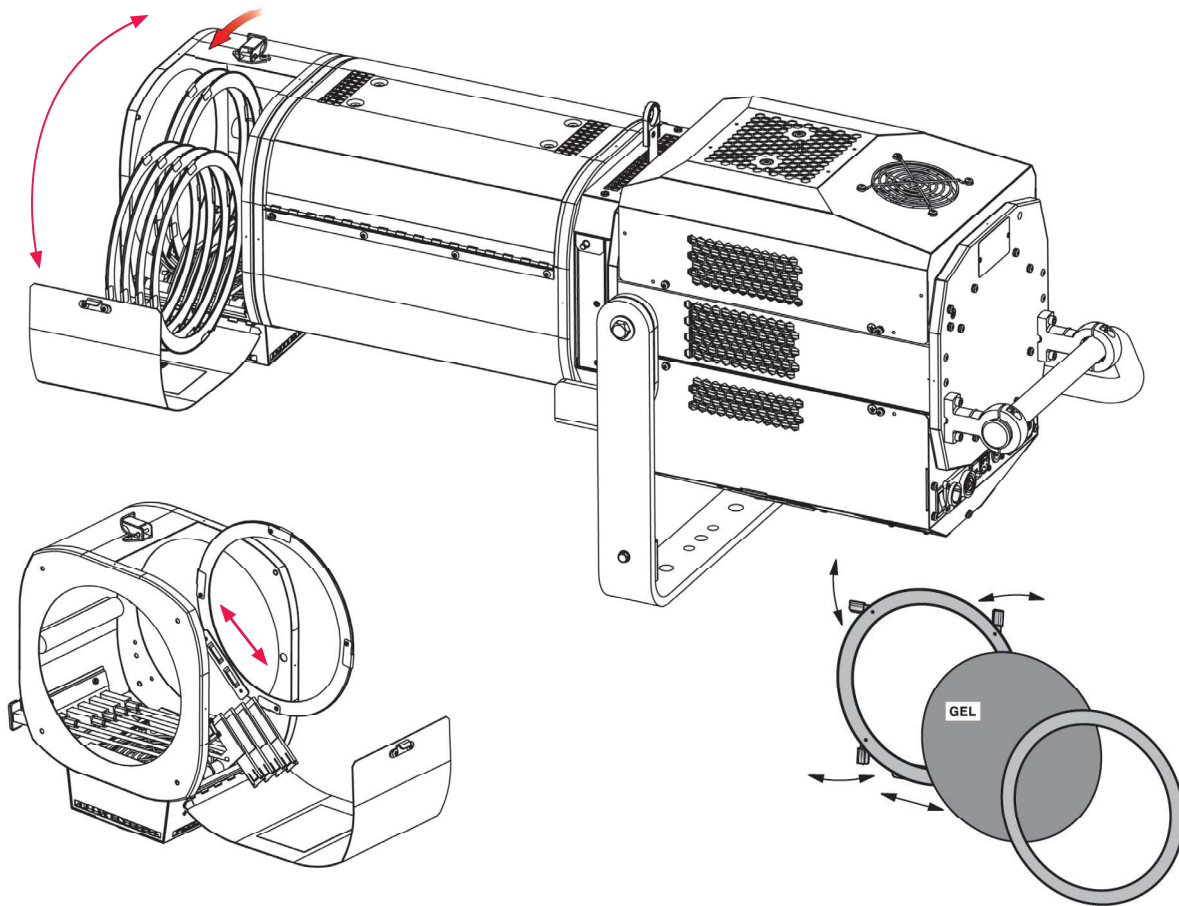


3.4.2 Colour changer unit - boomerang (only available for OZ)



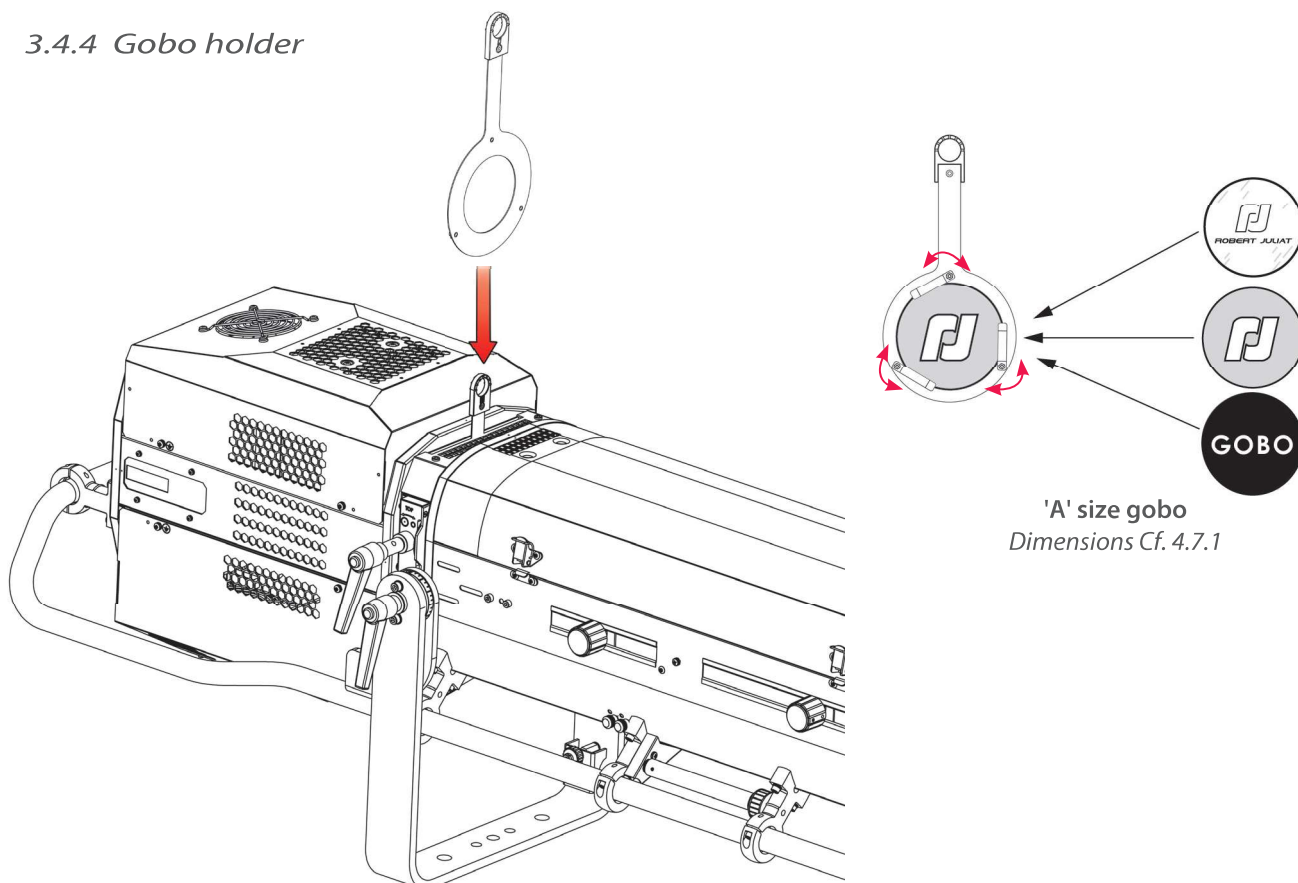
Dimensions Cf. 4.8.1

3.4.3 Colour changer unit - push-pull (ALICE)



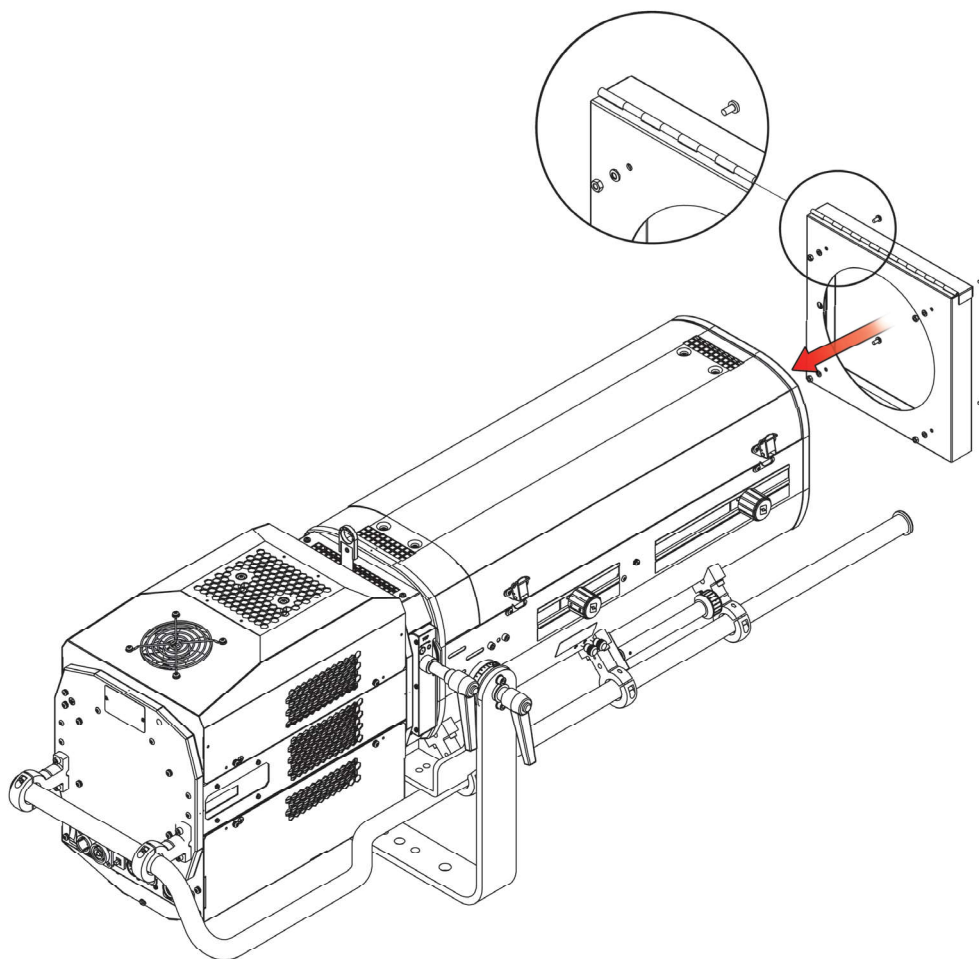
Dimensions Cf. 4.8.1

3.4.4 Gobo holder

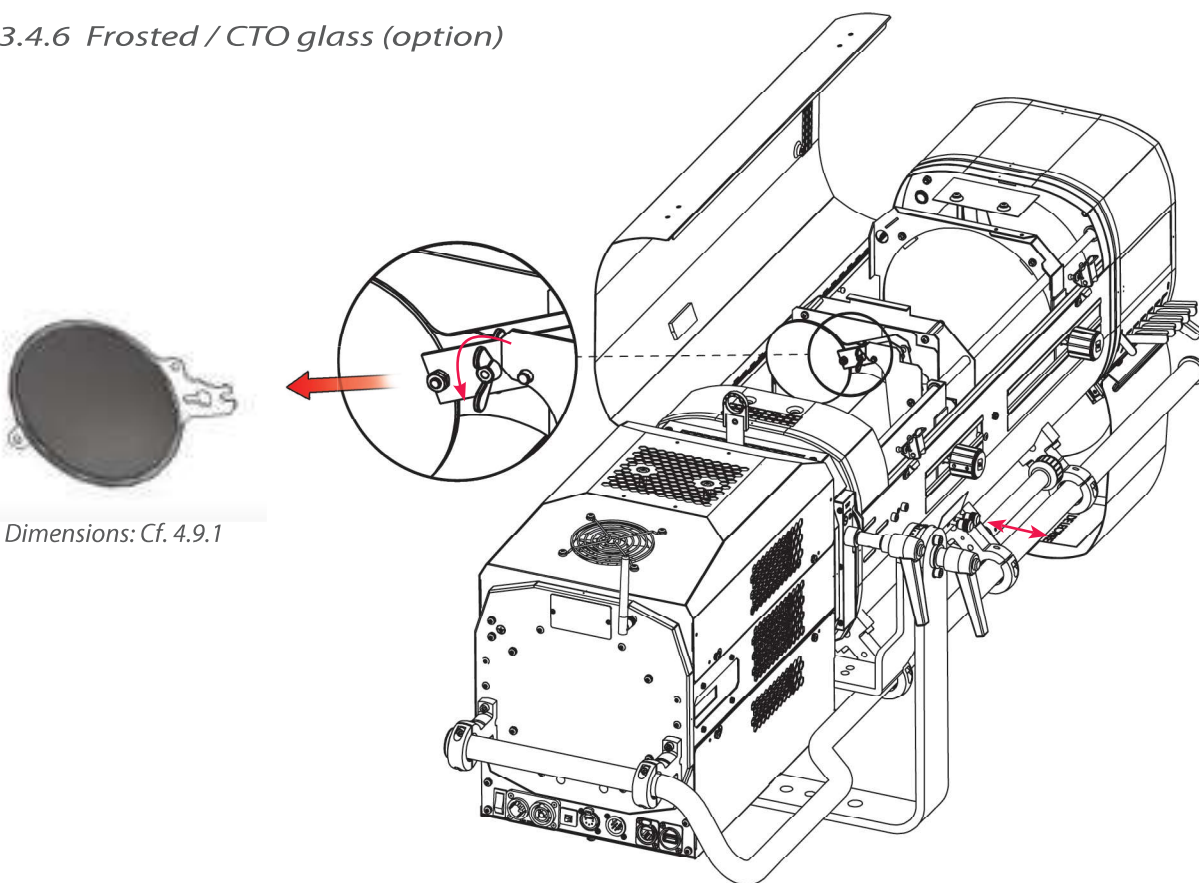


'A' size gobo
Dimensions Cf. 4.7.1

3.4.5 Double slot front cassette for 215 x 215 mm accessories (option)

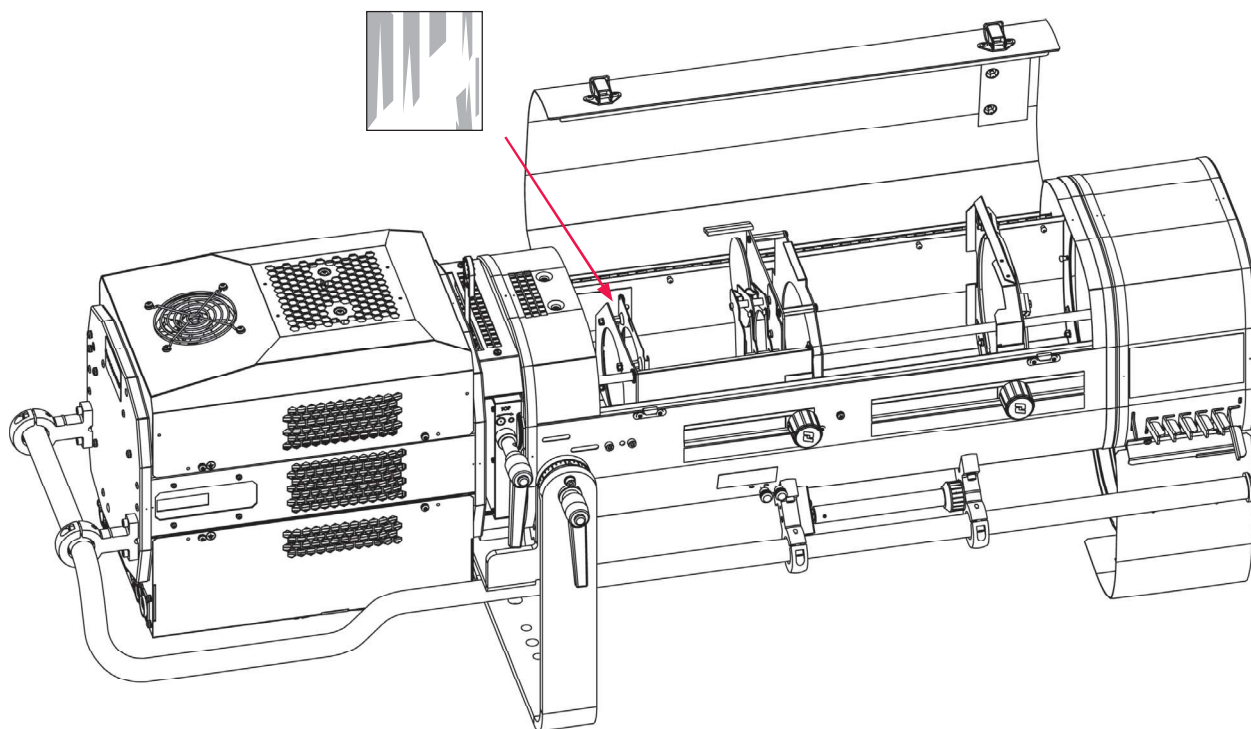


3.4.6 Frosted / CTO glass (option)

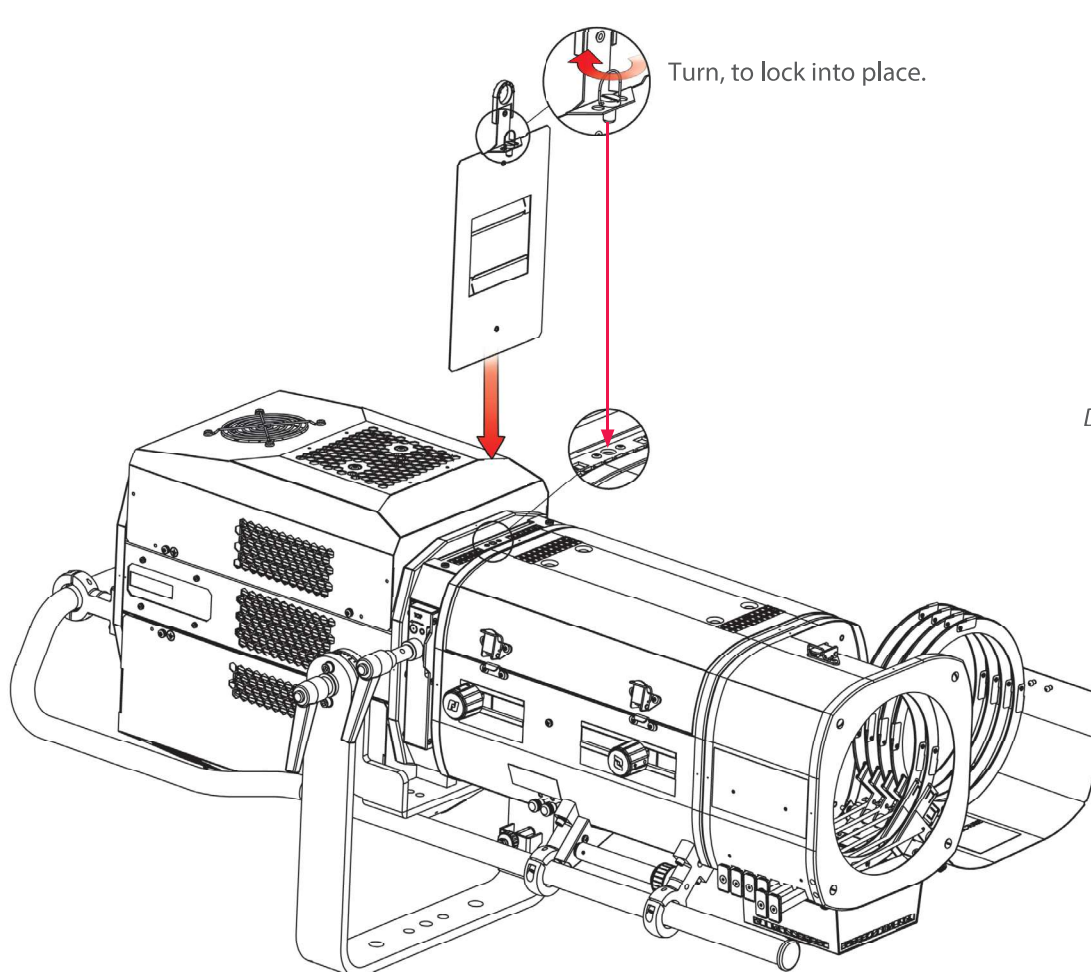


Dimensions: Cf. 4.9.1

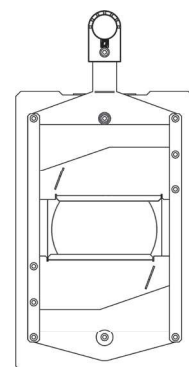
3.4.7 Internal glass holder 120 x 120 mm (option)



3.4.8 Horizontal chopper (option)



Turn, to lock into place.



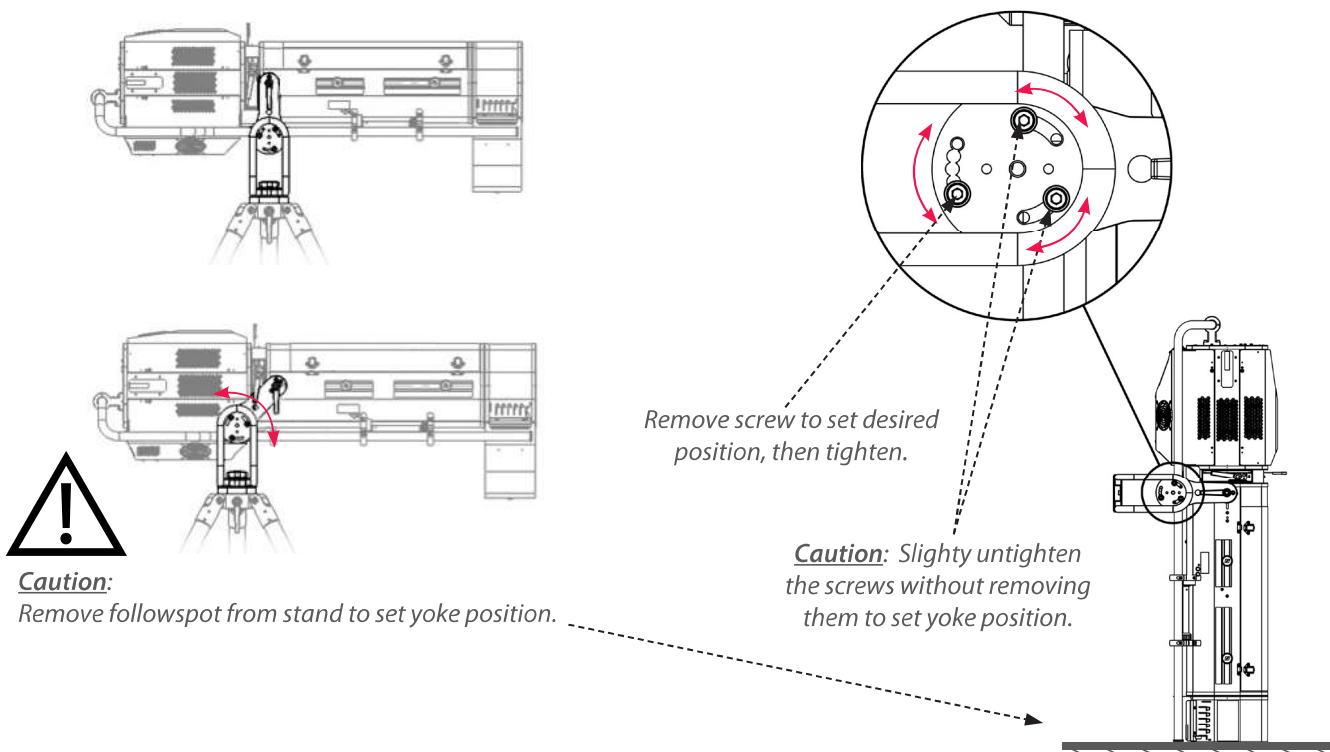
Dimensions: Cf. 4.10.1

3.4.9 Stands

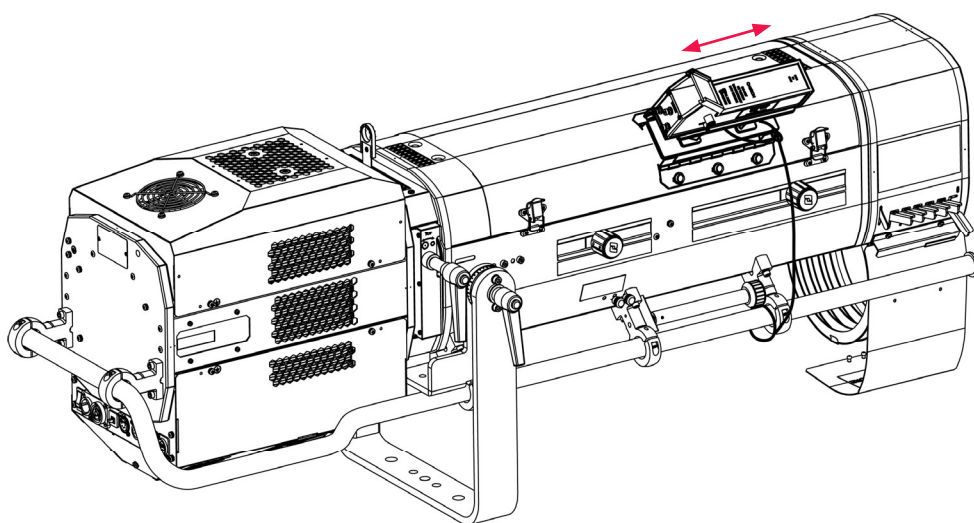
• GT4000 Series : Please refer to the relevant stand technical files for further details.

Stand set-up, refer to Cf. 3.1.5.

3.4.10 Heavy duty adjustable yoke (option)



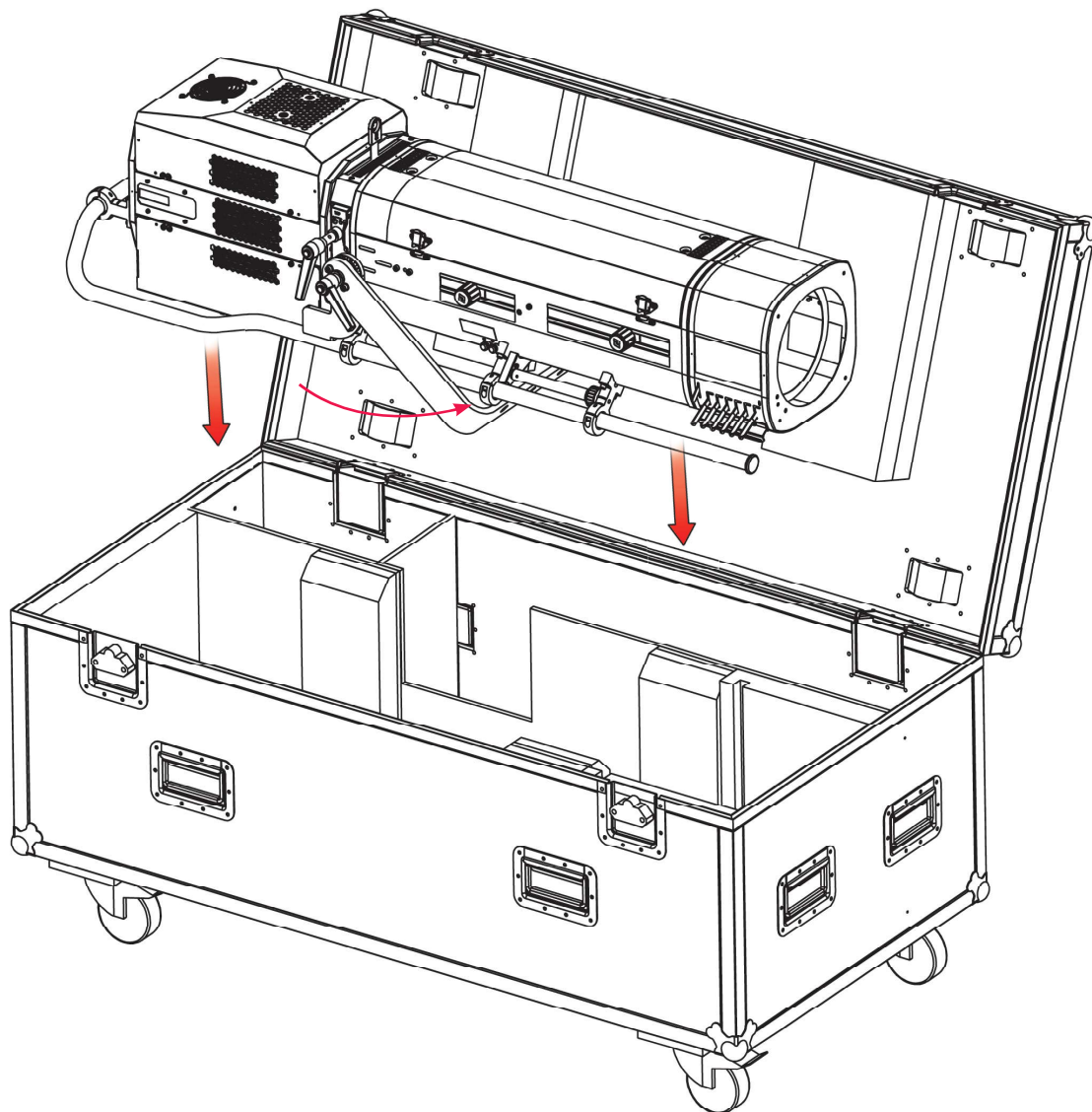
3.4.11 Telrad followspot sight (option)



Followspot sight guide available @ www.robertjuliati.com/followspots/Accessories.html

Caution: - Do not install the followspot sight on the lamp house to avoid blocking the ventilation vents.
 - Secure the sight with a suitable safety cable.

3.4.12 Flight-case (option)



4.1 Light intensity

4.1.1 Range

• Dimming

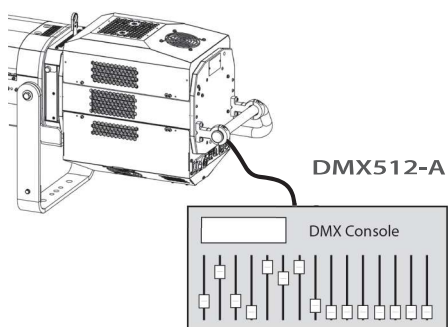
0%



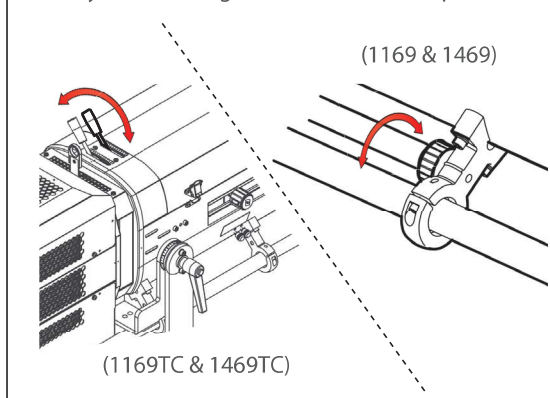
100%

4.1.2 Control

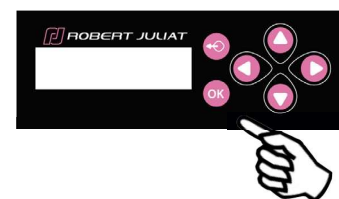
Remotely with DMX512-A protocol



Locally via dimming control handle or top control



Locally via Standalone mode



HTP mode (Highest Takes Precedence):
Light output is the highest value of DMX512 command or local control

Focus mode: when standby screen displayed,
Push Exit for 3 secs → Light output = 100% for 1 minute
2x times Exit → Light output = 0%

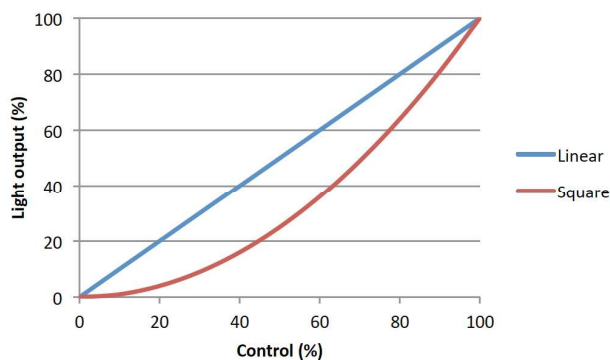
4.1.3 Parameters

4.1.3.1 Dimming resolution - DMX only

Resolution	DMX mode
8 bits – 255 steps	1 - 3 - 5
16 bits – 65 535 steps	2 - 4 - 6

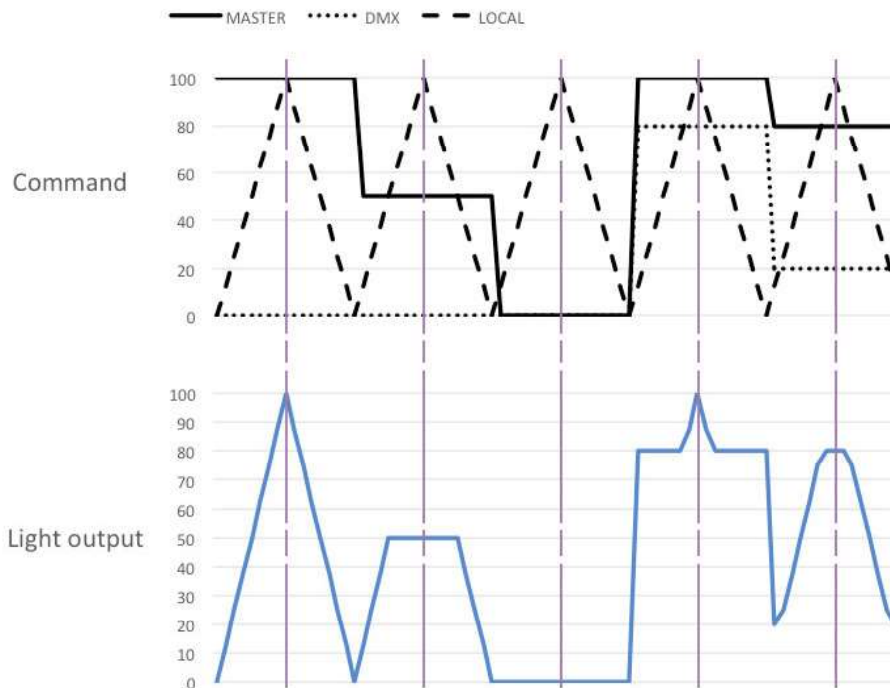
4.1.3.2 Dimming curve

→ selection in SETUP/DIMMER/CURVE menu: LINEAR or SQUARE



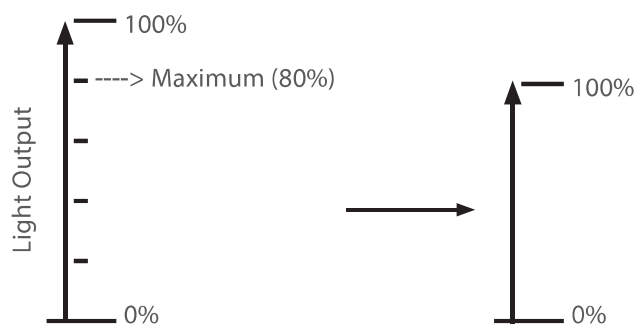
4.1.3.3 Master control

In order to supervise the operator from the console, master control DMX channel can be used. This channel limits the maximum value of the dimmer shutter. By using this function, it is possible to obtain synchronised fades with several spots or to give intensity limits (minimum and maximum) to the operator. Master is only active when DMX is detected.



4.1.3.4 Set maximum position

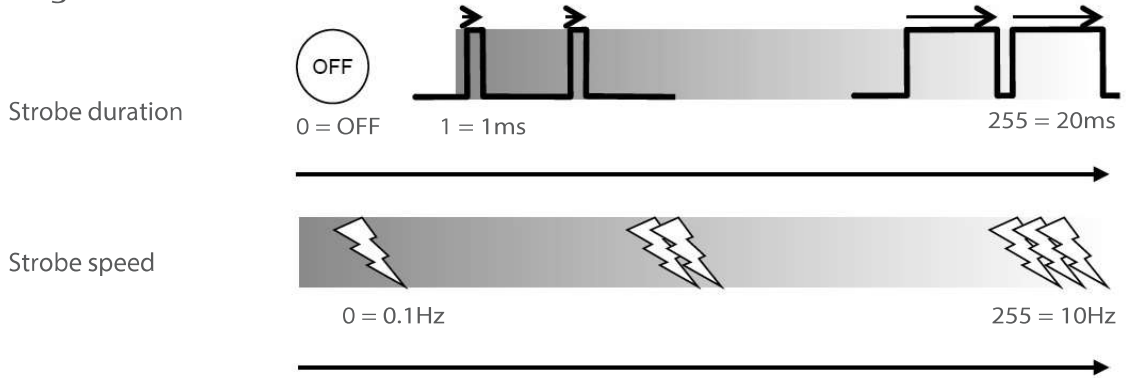
→ Selection in *SETUP/DIMMER/MAX* menu



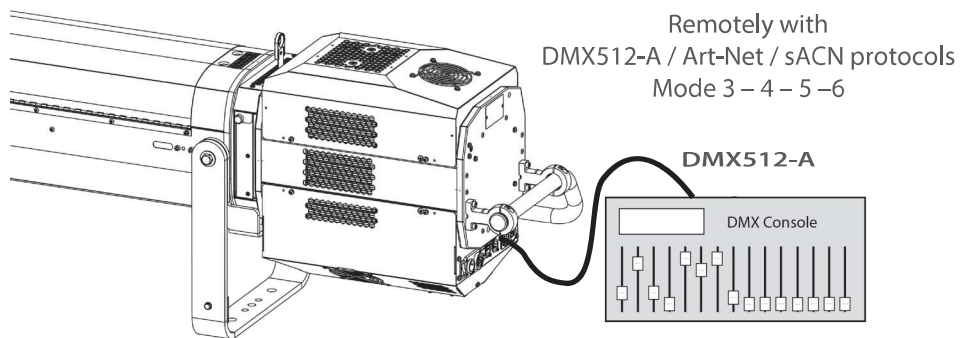
4.1.3.5 Sensitivity available soon.

4.2 Strobe

4.2.1 Range

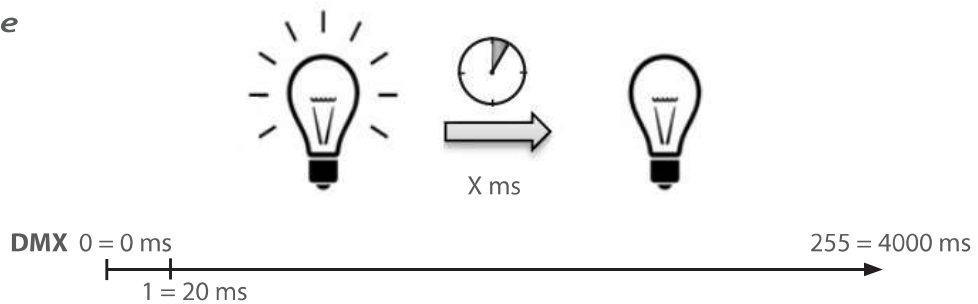


4.2.2 Control

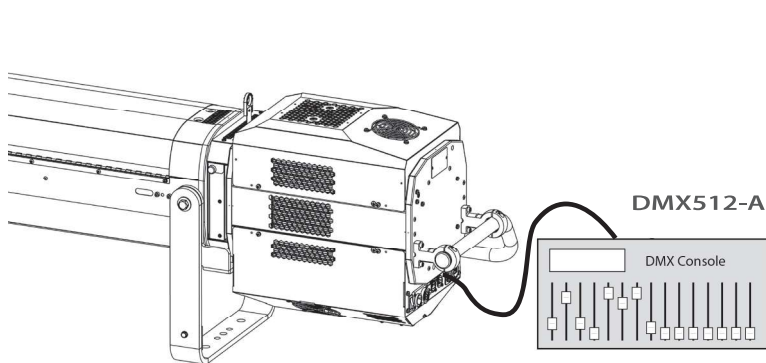


4.3 Response time

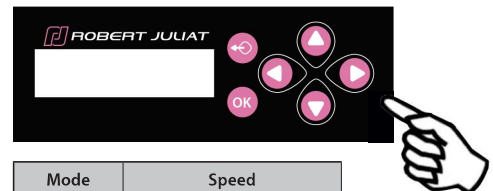
4.3.1 Range



4.3.2 Control



Remotely, with DMX512-A / Art-Net / sACN protocols Mode 3 – 4 – 5 – 6

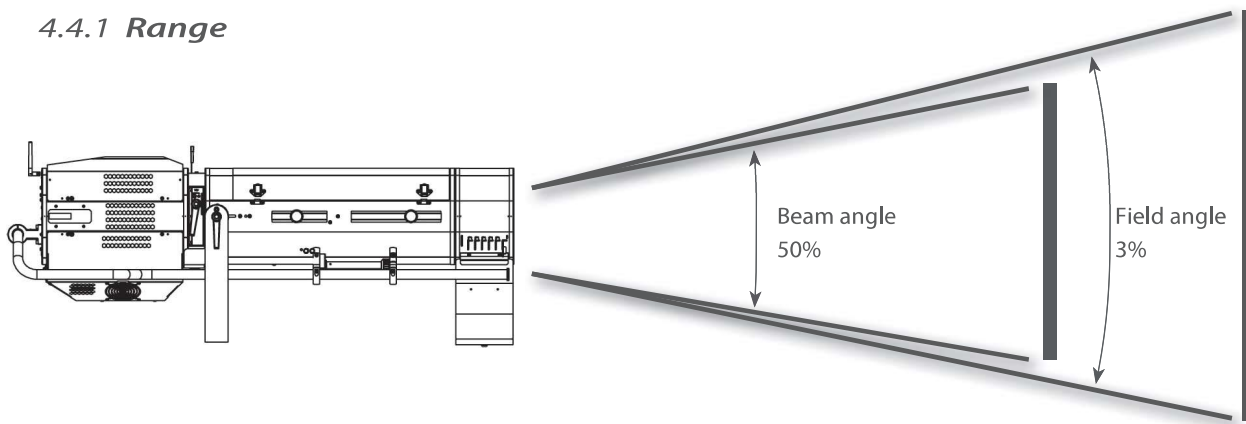


Mode	Speed
NONE	OFF
SLOW	700 ms
MEDIUM	470 ms
FAST	350 ms
CUSTOM	0 - 4000 ms

Locally, only when no DMX detected → selection in SETUP/DIMMER/RESPONSE TIME

4.4 Beam size adjustment

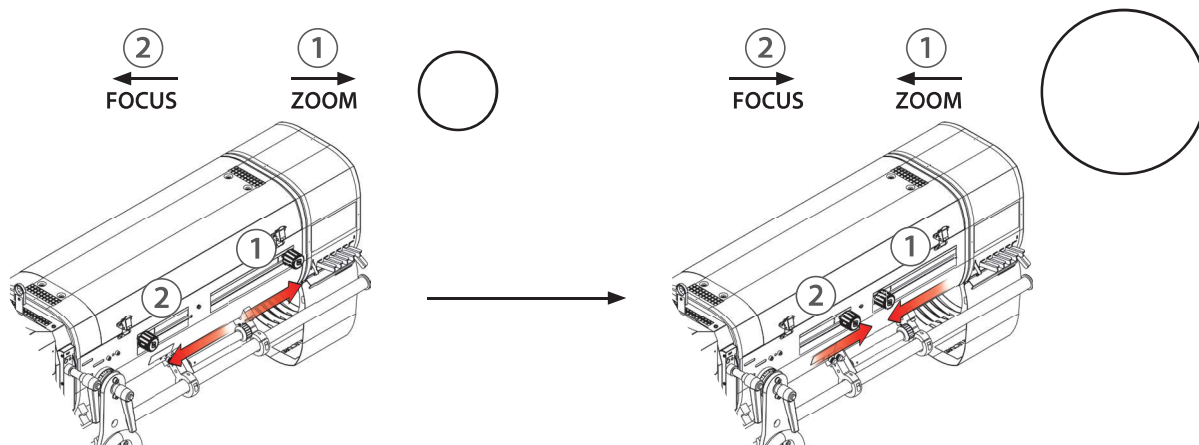
4.4.1 Range



Model	Angles	Minimum angle	Maximum angle
OZ 1169	Beam angle	6.9°	13.4°
	Field angle	7.1°	13.8°

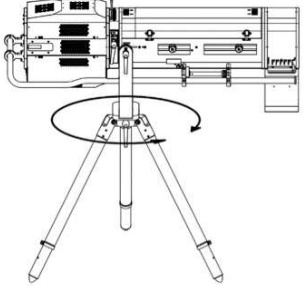
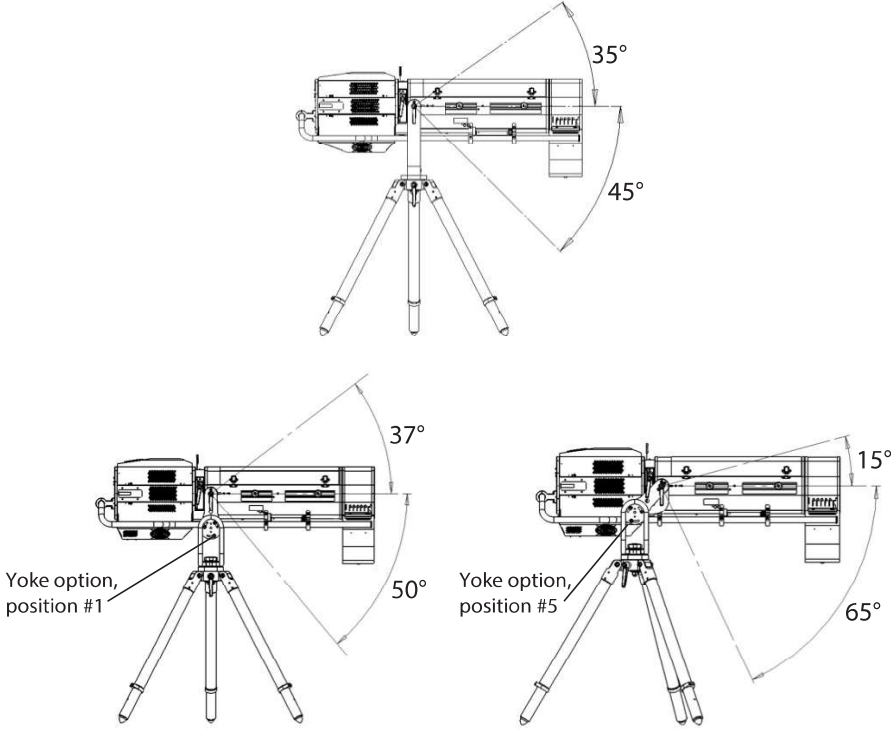
Model	Angles	Minimum angle	Maximum angle
ALICE 1469	Beam angle	12.9°	20.6°
	Field angle	13.2°	21.1°

4.4.2 Control

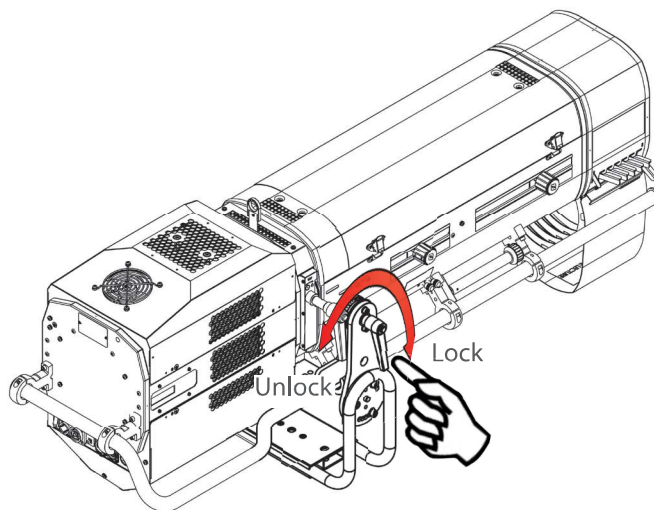


4.5 Pan / Tilt

4.5.1 Range

Function	Range
<p style="text-align: center;">PAN</p> 	<p style="text-align: center;">0 → 360°</p>
<p style="text-align: center;">TILT</p> 	

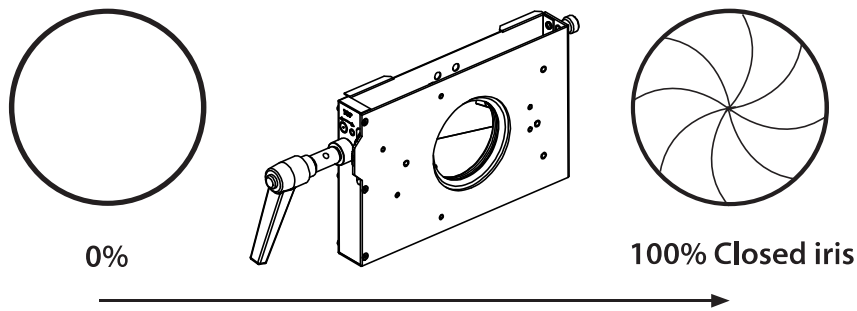
4.5.2 Control



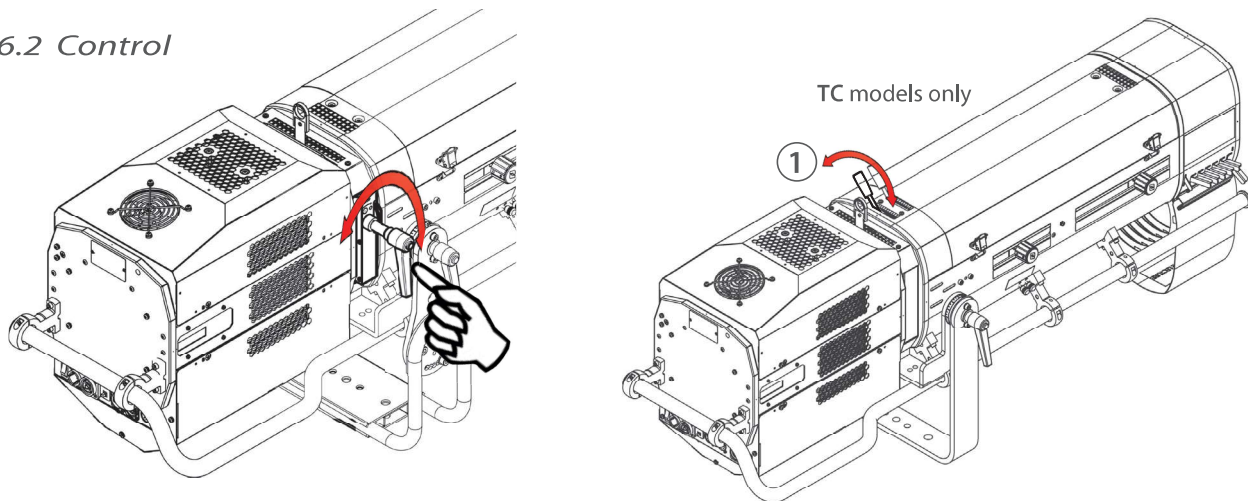
4.6 Iris

4.6.1 Range

• Irising



4.6.2 Control

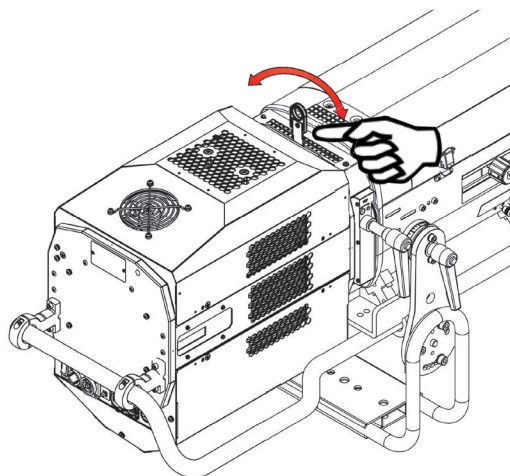


4.7 Gobo

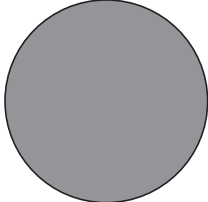
4.7.1 Range

Type	Standard gobo - A size	
Dimensions	<p>Ø100 mm</p> <p>Ø72 mm Maximum image size</p> <ul style="list-style-type: none"> • Metal • Glass 	
Installation	Cf. section: 3.4.4	

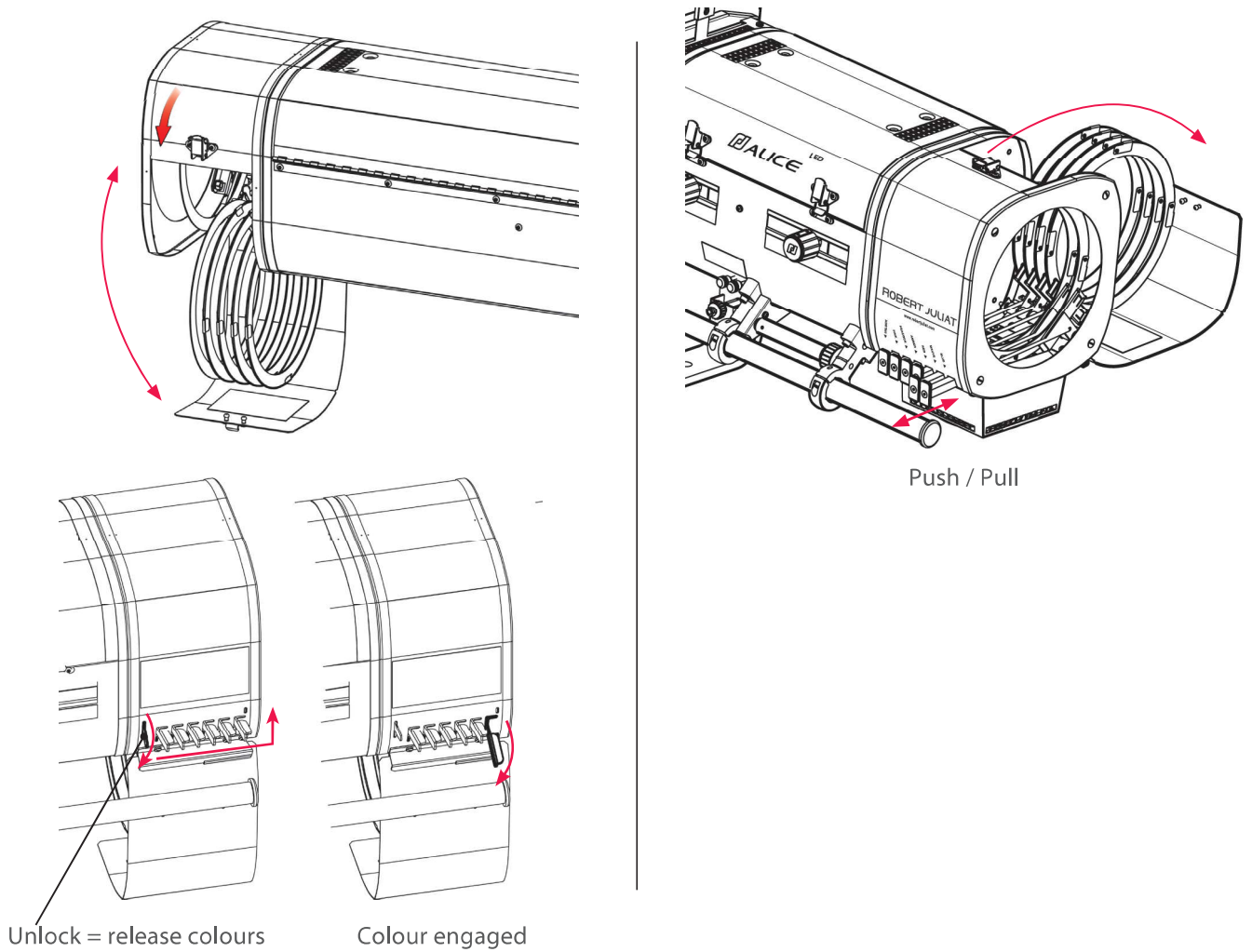
4.7.2 Control



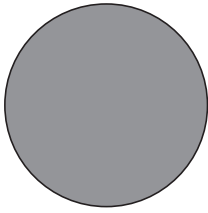
4.8.1 Range

Type	Coloured gel filter
Dimension	<p>Ø210 mm</p> 
Installation	<p>Cf. section: 3.4.2 & section 3.4.3 Place dark colours towards the front end.</p>

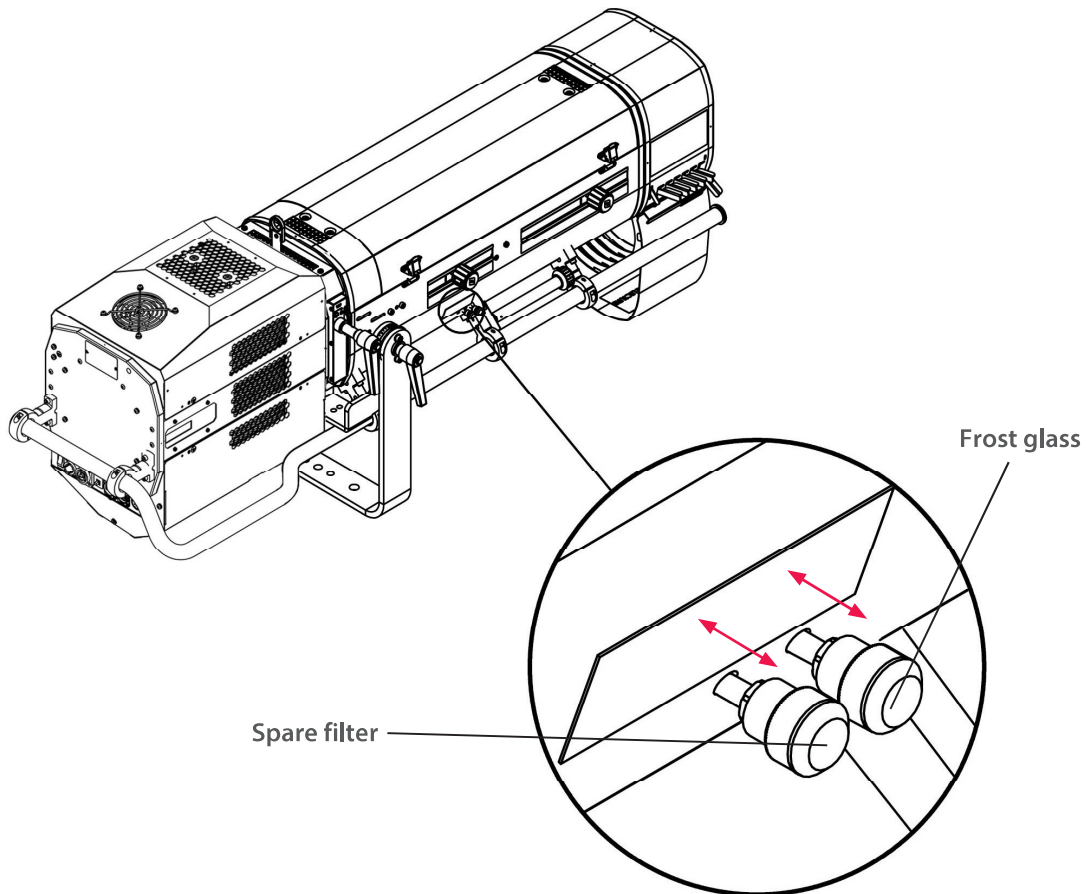
4.8.2 Control



4.9.1 Range

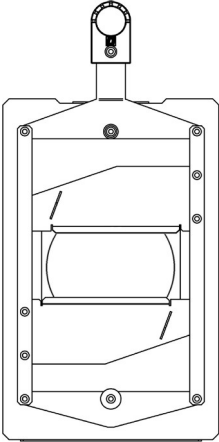
Type	Frost or CTO glass
Dimension	<p style="text-align: center;">Ø97 mm</p> 
Installation	Cf. section: 3.4.6

4.9.2 Control

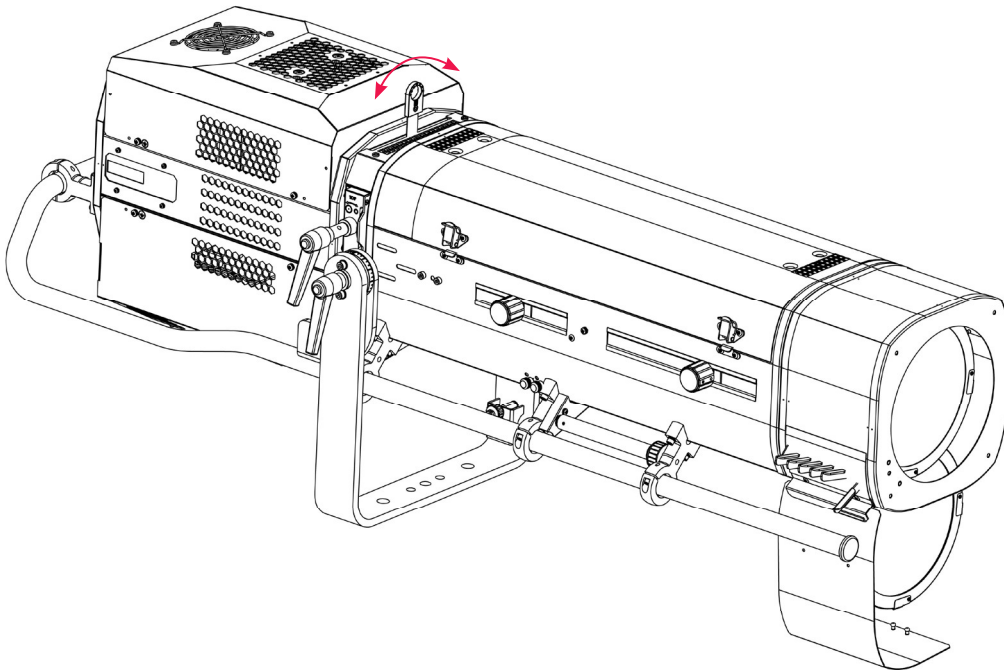


4.10 Horizontal chopper

4.10.1 Range

Type	Accessory option: PG80 chopper kit
Dimension	 Ø80 mm
Installation	Cf. section: 3.4.8

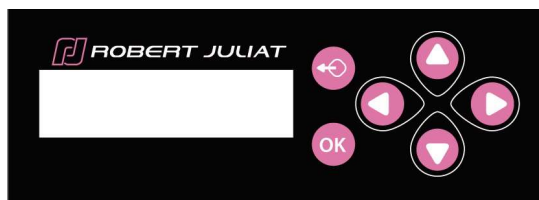
4.10.2 Control










5 Controls and parameters

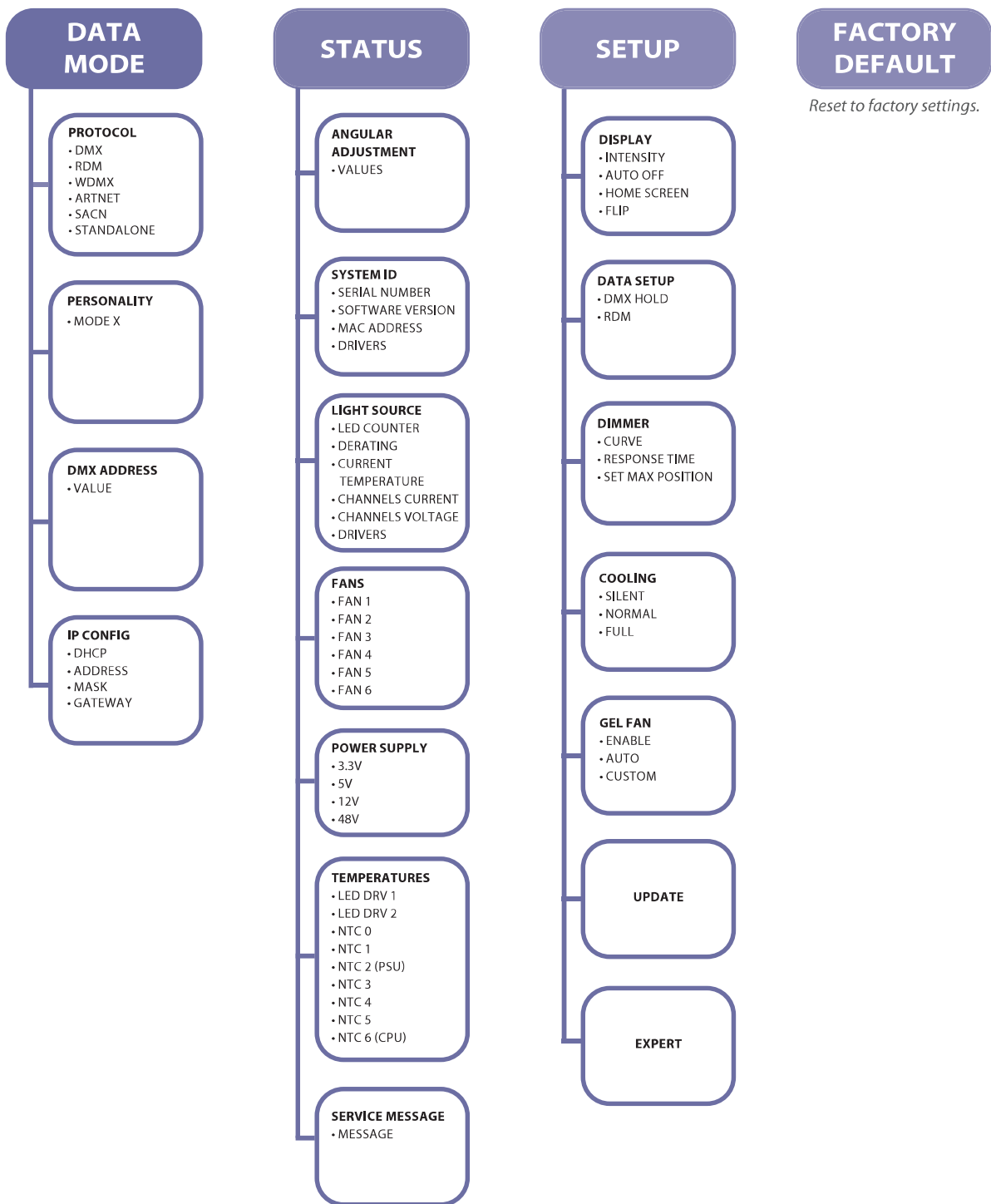
5.1 Local display and controls

5.1.1 Display



Function	
	Exit the current menu option and/or go back
	Press for 3 secs to enter Focus mode
	Enter the current menu option and/or valid
	Scroll through menus and/or Increase data value
	Scroll through menus and/or Decrease data value
	Scroll through menus and/or Increase data value
	Scroll through menus and/or Decrease data value

5.1.2 Menu



5.1.3 Parameters

→ Selection in *SETUP/DISPLAY MODE* menu

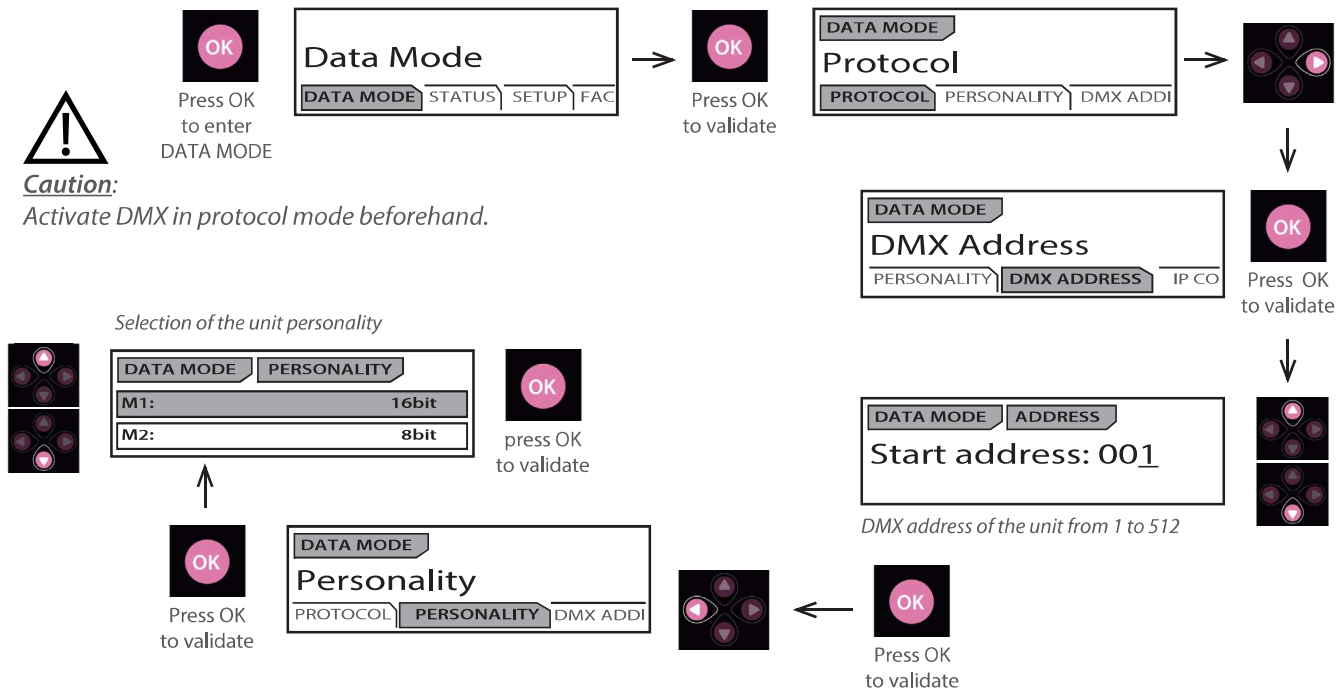
Display	Mode	Description
	Always ON	Main display (home screen) always ON
	Intensity	Adjust the intensity of the screen <i>To change value, press buttons :</i> press OK to validate
	Auto-OFF	Main display OFF after 20 seconds
	Home Screen	A choice between 2 screen displays, Mode 1 & Mode 2 <i>To change value, press buttons :</i> press OK to validate
	Flip	AUTO : Will change automatically NORMAL : Screen display horizontally FLIP : Change to vertical display <i>To change value, press buttons :</i> press OK to validate

5.2 DMX512 - A remote control

5.2.1 Protocol

E1.11 – 2008, USITT DMX512-A

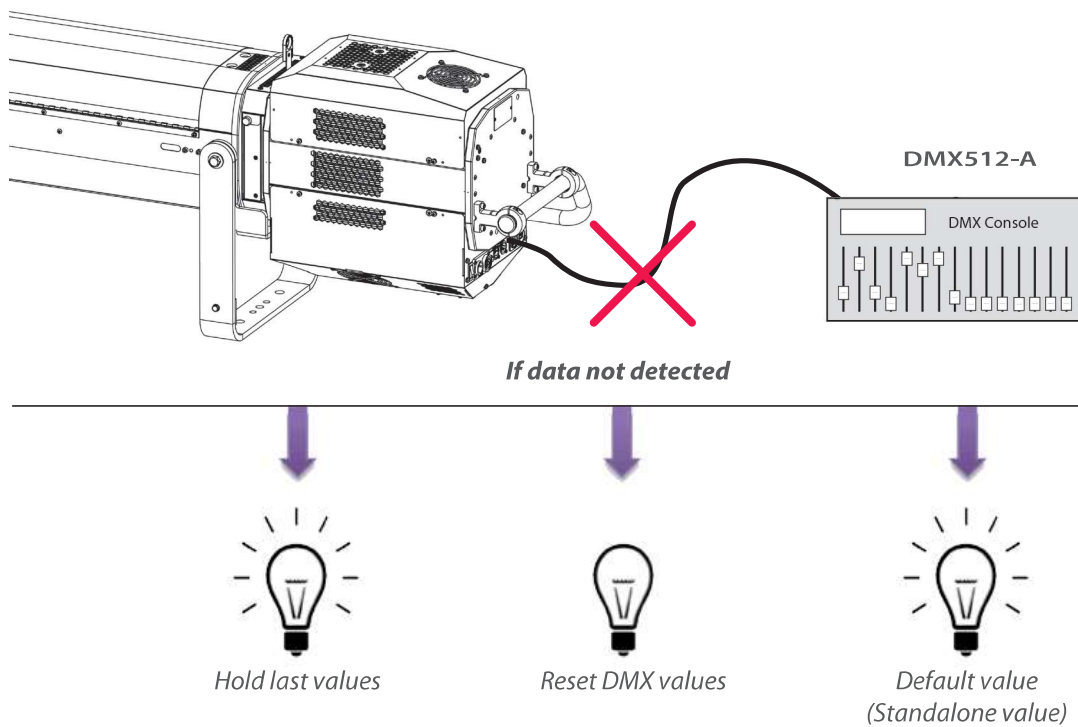
5.2.2 Configuration



5.2.3 Parameters

5.2.3.1 DMX Hold

→ Selection in SETUP/DMX HOLD menu



DMX Channel	Mode 1: Dimmer8B	Mode 2: Dimmer16B	Mode 3: Profile8B	Mode 4: Profile16b	Mode 5: Followspot8b	Mode 6: Followspot16b
1	Dimmer	Dimmer	Dimmer	Dimmer	Dimmer	Dimmer
2		Dimmer fine	Strobe duration	Dimmer fine	Master	Dimmer fine
3			Strobe speed	Strobe duration	Strobe duration	Master
4			Response time	Strobe speed	Strobe speed	Master fine
5			Control mode	Response time	Response time	Strobe duration
6				Control mode	Control mode	Strobe speed
7						Response time
8						Control mode

5.2.5 DMX ranges:

5.2.5.1 Strobe duration

Range min	Range max	Function
0	0	Strobe OFF
1	255	Strobe ON - 1 ms → 20 ms

5.2.5.2 Strobe speed

Range min	Range max	Function
0	255	Frequency: 0,1 Hz → 10 Hz

5.2.5.3 Response time

Range min	Range max	Function
0	0	OFF
1	255	Response time: 0,20 ms → 4 s

5.2.5.4 Control mode

Range min	Range max	Function
0	0	
1	10	RDM disabled
11	20	RDM enabled
21	100	not used
101	110	Cooling mode: Silent
111	120	Cooling mode: Normal
121	130	Cooling mode: Full power
131	140	Front Ext disable
141	150	Front Ext enable
151	255	not used

Function activated after 5 seconds - need to go back to zero to activate second function.

5.3 RDM remote control

5.3.1 Protocol

ANSI E1.20 – 2010 / ANSI E1.37 - 1

For more information about RDM protocol: <http://www.rdmprotocol.org/>

5.3.2 Functions: available soon.

5.3.3 Parameters ON/OFF: available soon.

5.4.1 Protocol **Artistic Licence Art-Net**

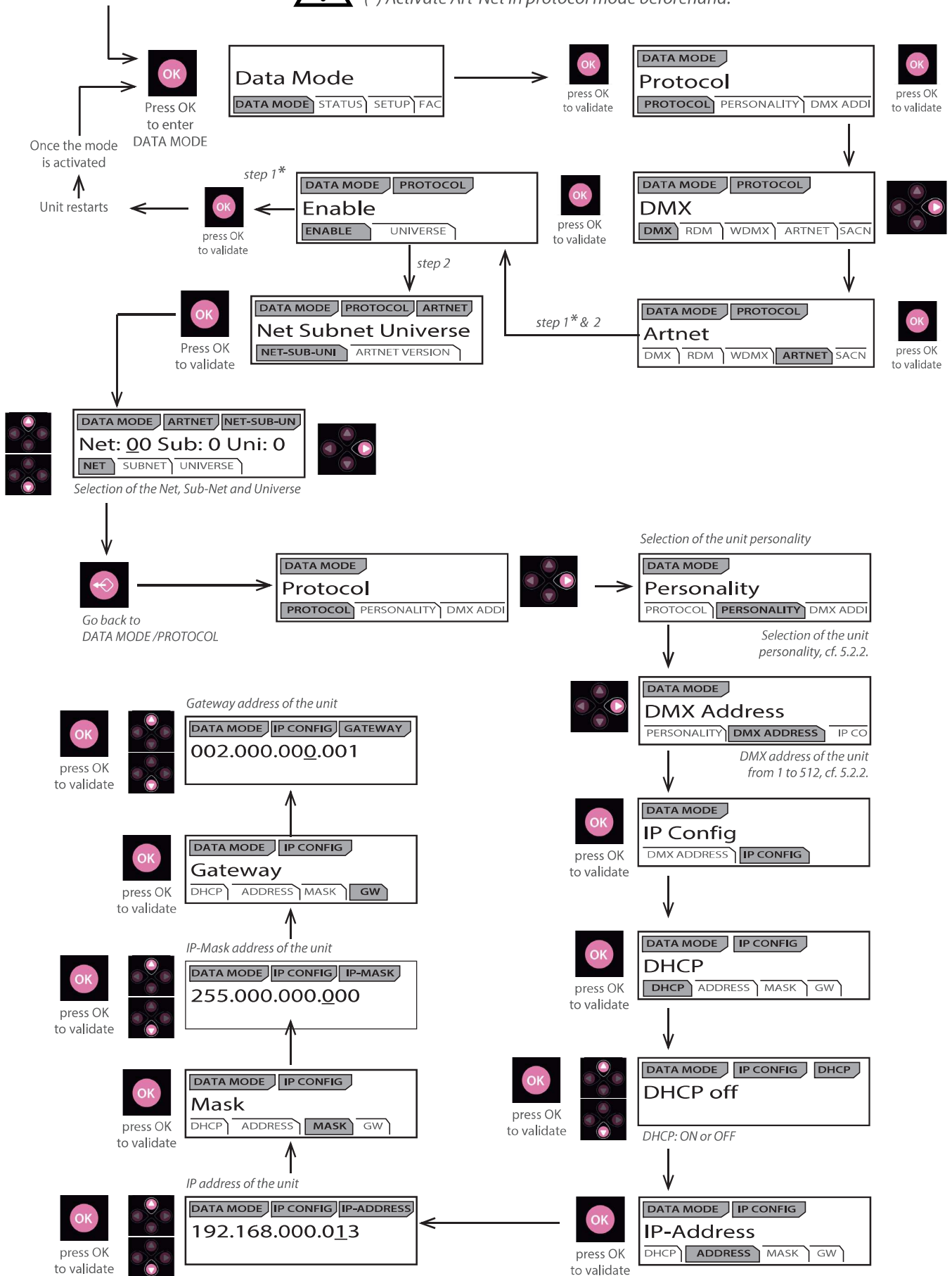
For more information about Art-Net protocol: <http://art-net.org.uk/>

5.4.2 Configuration



Caution:

(*) Activate Art-Net in protocol mode beforehand.



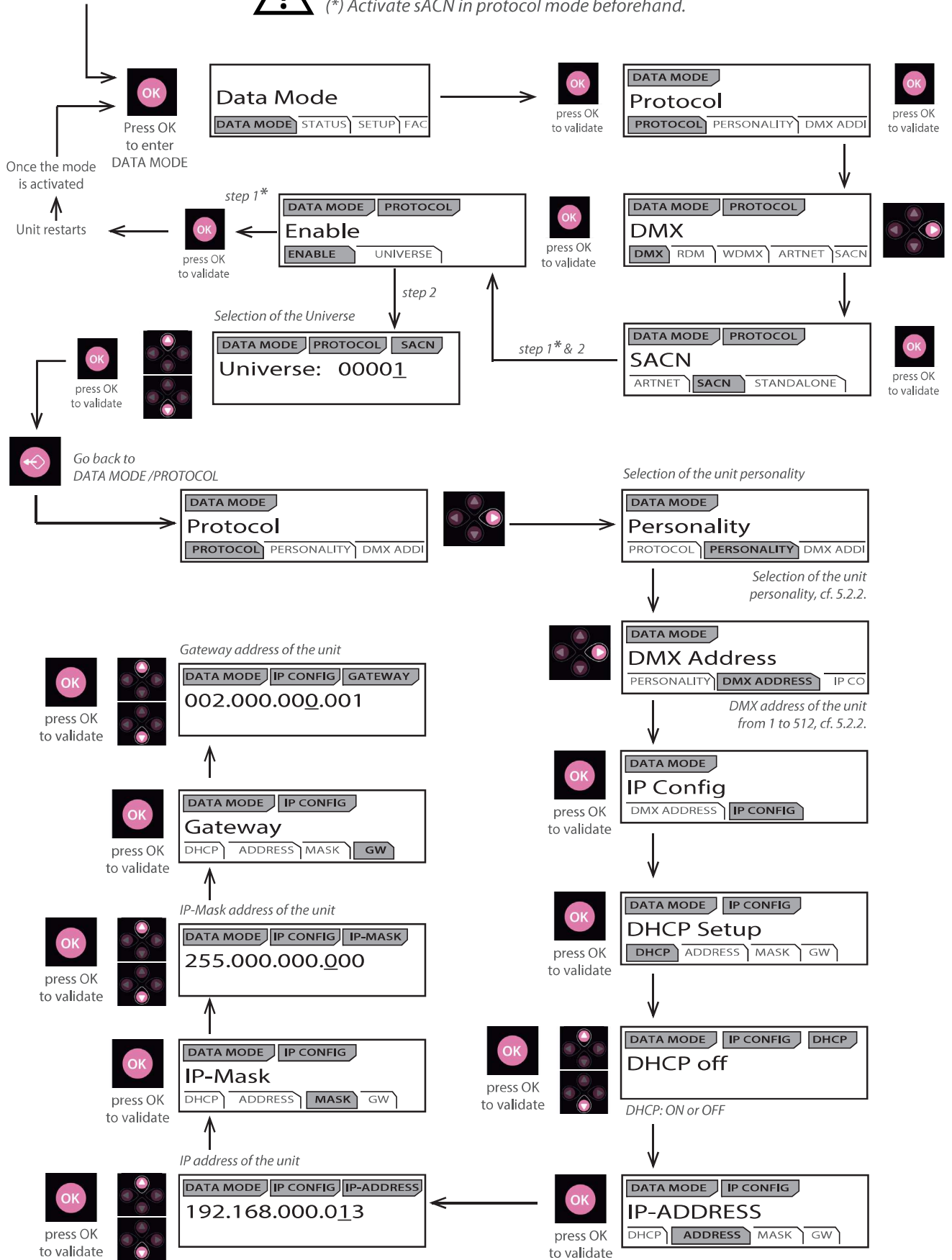
5.5.1 Protocol ANSI E1.31 – 2009 sACN (Streaming-ACN)

5.5.2 Configuration








Caution:

(*) Activate sACN in protocol mode beforehand.

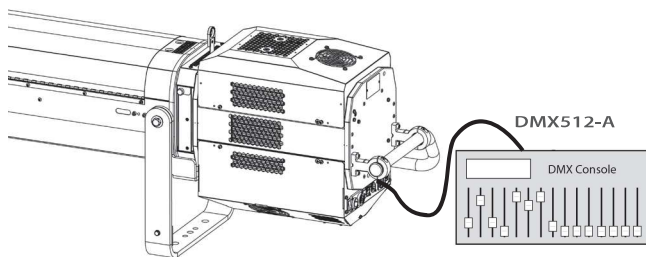


5.6 Fan cooling modes

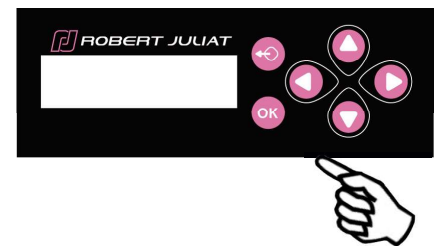
5.6.1 Range

Modes	Silent	Normal	Full
 Cooling	 < 38 dB(A)		
 Brightness	60 → 85%	80 → 95%	100%

5.6.2 Control



Remotely by DMX512-A
Mode 1 – 2 – 3 – 4



Locally → selection in
SETUP/COOLING

5.7 Gel Fan modes

GEL FAN menu:

- **Enable:** activates / deactivates the fan of the colour changer. If it is activated, it will be in one of the 2 modes chosen below :
- **Auto:** fan speed is controlled by the power delivered by the fixture.
- **Custom:** the user can choose between 0 and 100%.

6 Service

6.1 Preventive maintenance

6.1.1 Frequency

General maintenance should be performed at least once a year or more frequently if the equipment is operated in adverse conditions (smoke, heat, humidity, touring, etc.).

6.1.2 General cleaning

Remove dust from the unit.

Front glasses can be cleaned with solutions containing alcohol.

6.1.3 General visual check

- No trace of heat.
- No loose contacts.
- No missing parts.
- Tighten mechanical assemblies (screws, bolts and nuts, etc.).

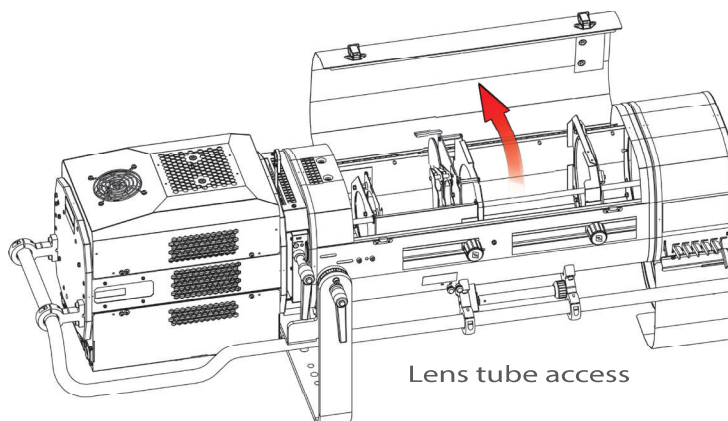
6.1.4 LED source



- Do not touch the surface of the LED source (no contact with your hands or any tools).
- Do not put compressed air directly on the source.
- Contact a certified RJ distributor in case of residuals or other objects located on the surface of the LED source.

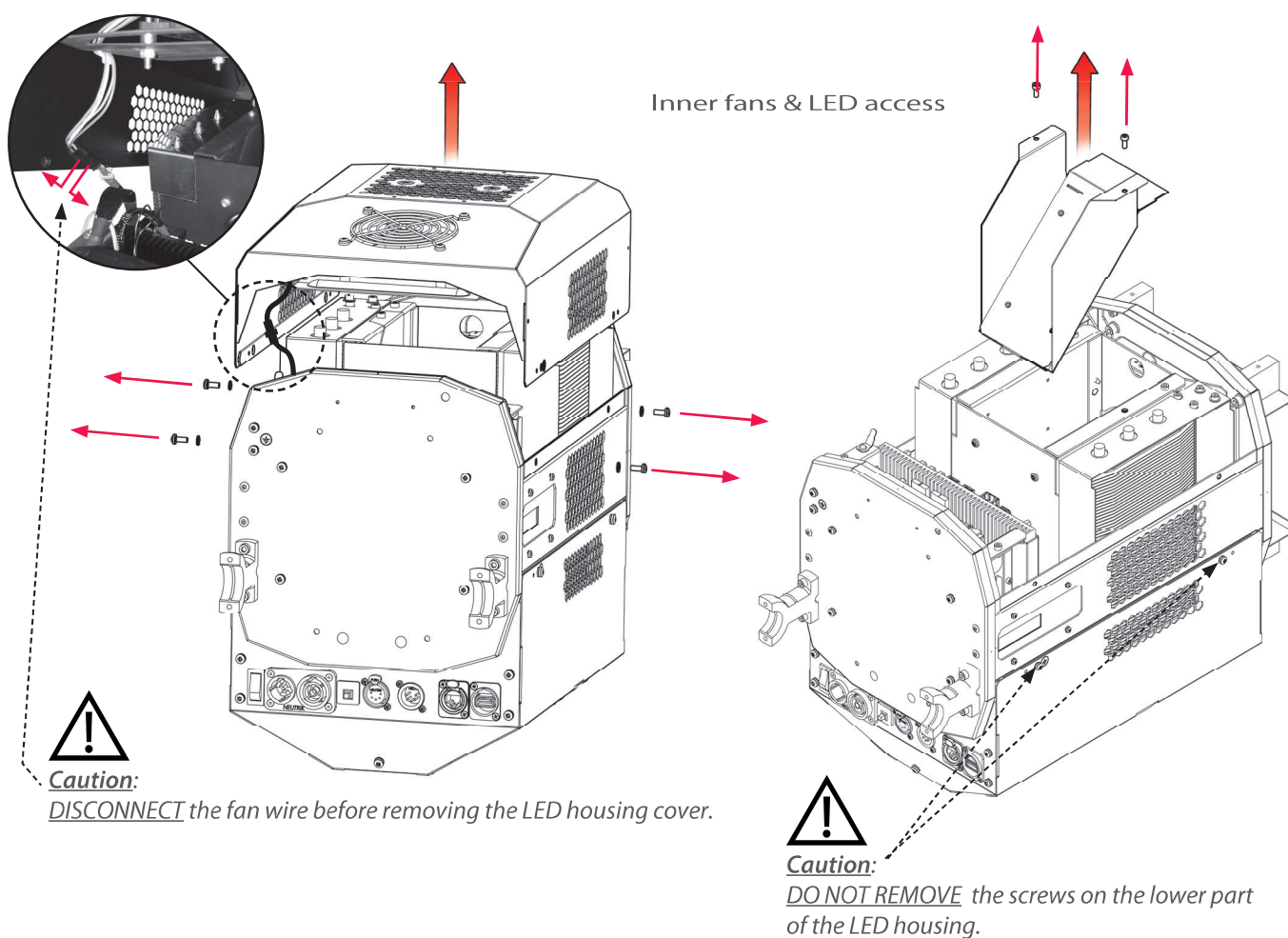
6.1.5 Optics

Only use solutions containing alcohol to clean optical parts (lenses).



6.1.6 Inner fans & LED glass protection cleaning

Only use solutions containing alcohol to clean inner parts.



6.2 Analysis

In case of problem, contact RJ distributor with the following information:



- Model, version and serial number of the product.
- From the menu status:
 - Software version
 - LED board IDs
 - Device hours
- Description of the problem.

6.3 Local potentiometer

→ selection in SETUP / LOCAL POTENTIOMETER (LOCAL POT)

Function	Parameters	Description
<p>Setup</p>		<p>(1169 & 1469)</p> <p>Disable</p> <p>Enable</p> <p>(1169TC & 1469TC)</p>
<p>Rotation</p>		<p>Normal (CW): Clockwise</p> <p>Invert (CCW): Anticlockwise</p>
<p>Calibration</p>		<p>Adjust to the minimum position</p> <p>Adjust to the maximum position</p>

6.4 Electronic thermal management system

In case of overheating, light intensity will be reduced by the system.

"Power reduction X%" will be shown on the display with the reducing percentage.

6.5 Firmware update

If the CPU firmware is before 1.9 you must upgrade to 1.9 first, doing a factory reset and then upgrade to the current revision. Not following this procedure might damage the CPU board.

Switch on the fixture and config IP address:

Turn off the local potentiometer

- Set DHCP = OFF

Method 1 - IP address settings (quickest):

- Check the default IP address of the fixture. It can be found at the back of the lamphouse near the factory plate.
- Set the IP address of the computer:
 - IP address: 2.2.2.2
 - Mask: 255.0.0.0
- Connect the Network cable from computer to the unit
- Open a web browser (Firefox) or (Chrome). In some computer you may have some issues with either Firefox or Chrome but if one is not working the other one will.
- Enter the URL address of the unit: <http://AAA.BBB.CCC.XXX>
- Load the firmware
- Submit and wait for the install to complete.
- Before using the unit you must do a factory reset

Method 2 - IP address settings:

- Fixture IP Address settings through main display:
 - ADDRESS = AAA.BBB.CCC.XXX
 - MASK = 255.255.255.0
 - Exit to main menu to validate modifications.
- Set the Network IP of the computer:
 - ADDRESS = AAA.BBB.CCC.YYY with YYY ? XXX
 - MASK = 255.255.255.0
- Connect the Network cable from computer to the unit.
- Open a web browser (Firefox) or (Chrome). In some computer you may have some issues with either Firefox or Chrome but if one is not working the other one will.
- Enter the URL address of the unit: <http://AAA.BBB.CCC.XXX>
- Load the firmware.
- Submit and wait for the install to complete.
- Before using the unit you must do a factory reset.

Troubleshooting - Continuous Reboot Mode

To get out from this loop:

- Switch OFF the fixture.
- Press down (firmly) up and down arrow keys and start the fixture.
Hold them tight until you get the menu and then do a factory reset.